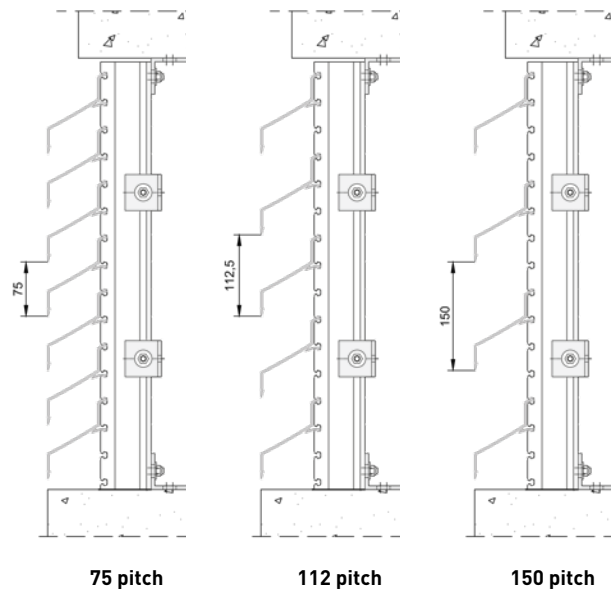


DucoWall Screening 70

DucoWall Screening 70 is a louvre wall system with a **very large span** and **high airflow**. The louvre blades are fastened directly onto the support section (Direct Clip). In combination with the limited number of supports, this ensures a **very fast installation** of the louvre wall. DucoWall Screening 70 is available with different louvre pitches (75 / 112 / 150 mm).



Dimensions and support sections

SUPPORT SECTION TYPE	40/21 (Double)	40/70 Double
Spacing of the louvre (pitch)	75 mm - 112 mm - 150 mm	
Louvre depth	82 mm	
Recess depth	94,5 mm	145 mm
Maximum span between 2 support sections	← 2400 mm →	

Ventilation values

LOUVRE PITCH (MM)		75	112	150
Visual free area		53 %	68 %	77 %
Physical free area		37 %	59 %	55 %
Ce (higher is better)		0,18	0,22	0,27
Cd (higher is better)		0,20	0,26	0,31
K-FACTOR (lower is better)	INLET	30,20	20,10	13,70
	OUTLET	25,00	14,60	10,20

Water resistance

AIR VELOCITY	Class		
	75	112	150
0 m/s	A (99,09%)	B (97,70%)	C (88,78%)
0,5 m/s	B (97,19%)	B (95,47%)	C (82,97%)
1 m/s	C (94,61%)	C (91,74%)	D (75,77%)
1,5 m/s	C (89,20%)	D (85,16%)	D
2 m/s	D (76,41%)	D (76,39%)	D
2,5 m/s	D	D	D