



- > Circular Louvre Face Diffuser
- > Removable Core
- > Butterfly Damper

APPLICATION

Circular diffusers with fixed cones and removable core and butterfly damper. For ceiling installation and for air intake and delivery.

Installation height: 2.6 – 4.1 m.

Fixing:

Fixing by concealed fixing screws mounted on the diffuser neck or with mounting bridge.

DESIGN

Construction: Aluminium with airtight seal.

Finish:

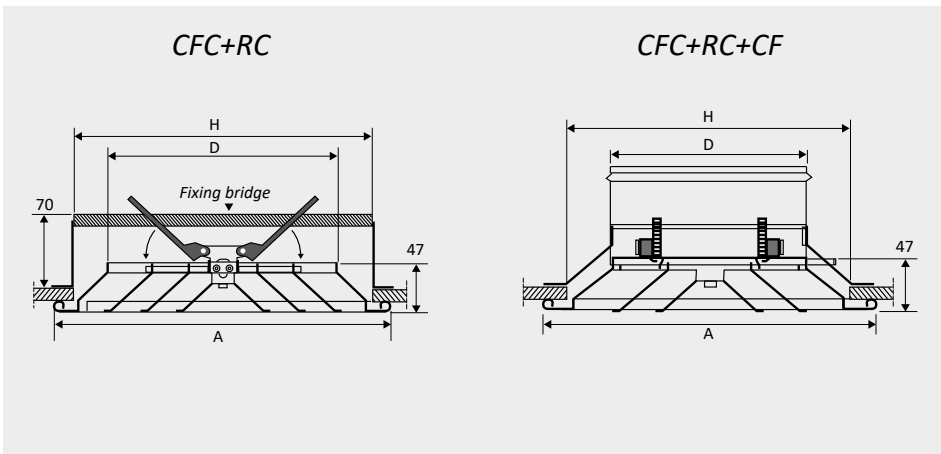
White RAL 9016 painted.

Options:

- Fixing ring

AVAILABLE TYPES

CFC+RC: Standard



DIMENSIONAL DATA

mm	H	D	A
150	220	148	257
200	271	198	309
250	324	249	362
300	377	298	415
350	411	348	460

REMARKS

All dimensions are given in mm.



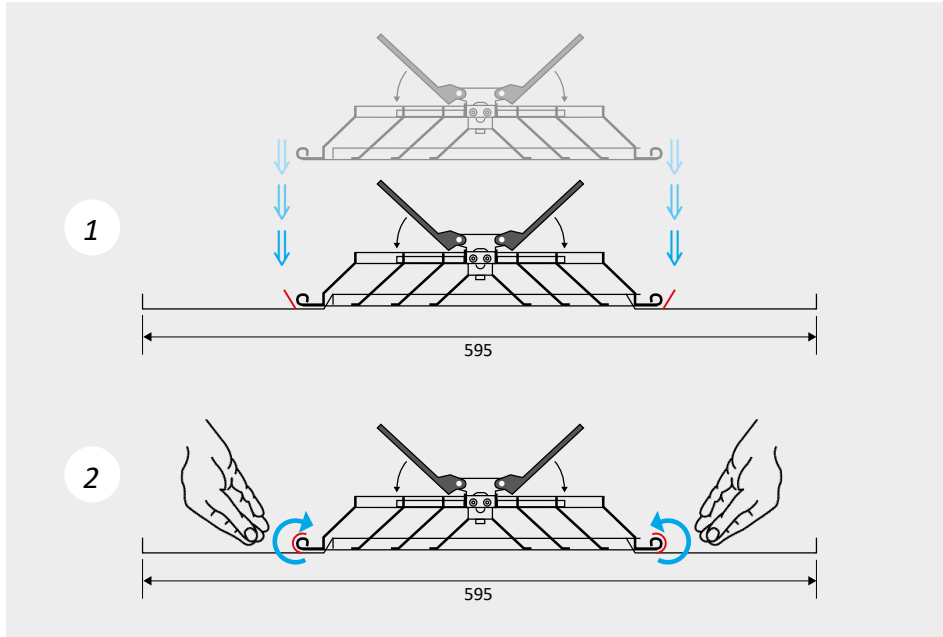
CF – Polycarbonate fixing ring
(150, Ø 200 and Ø 250)



CF – Steel fixing ring
(300 and Ø 350)

MODEL	A _k [m ²]	Q [m ³ /h]		L _{WA} [dB(A)]		X _(0.25) - Y _(0.25) [m]		Dp _t [Pa]	
		min	max	min	max	min	max	min	max
CFC+RC 150	0.0102	110	280	-	38	1	2.1	10	50
CFC+RC 200	0.0227	270	670	-	45	1.5	3.2	10	50
CFC+RC 250	0.0366	460	1140	24	50	1.9	4.2	10	50
CFC+RC 300	0.0519	680	1670	28	53	2.2	5.1	10	50
CFC+RC 350	0.0684	920	2260	31	56	2.6	6	10	50

MOUNTING



Airflow m ³ /h		
Ø mm	Min.	Max.
150	100	300
200	150	500
250	200	900
300	300	1300
350	500	1700