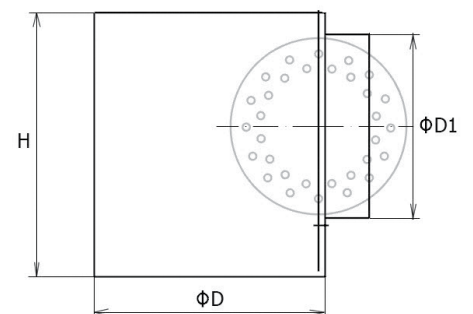


- Characteristics** Variable geometry diffusers.
- Material** Steel
- Finish** Powder coating, color on demand.
- Fixing** Fixing by screws located on the diffuser's neck.
- Models**
- DVE-1: diffuser with manually and simultaneously movable blades.
 - DVE-1-E: diffuser with simultaneously movable blades by motor drive.
 - DVE-1+PL: diffuser with manually and simultaneously movable blades, made on 595x595 panel.
 - DVE-1-T: diffuser with thermostatic actuator.

Plenum with damper



Dimensions Ø mm

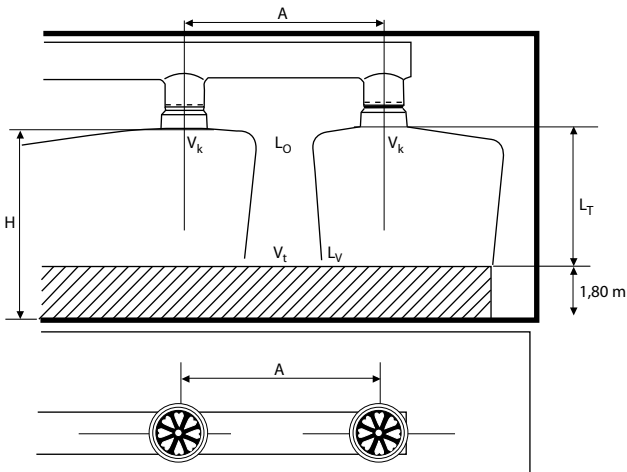
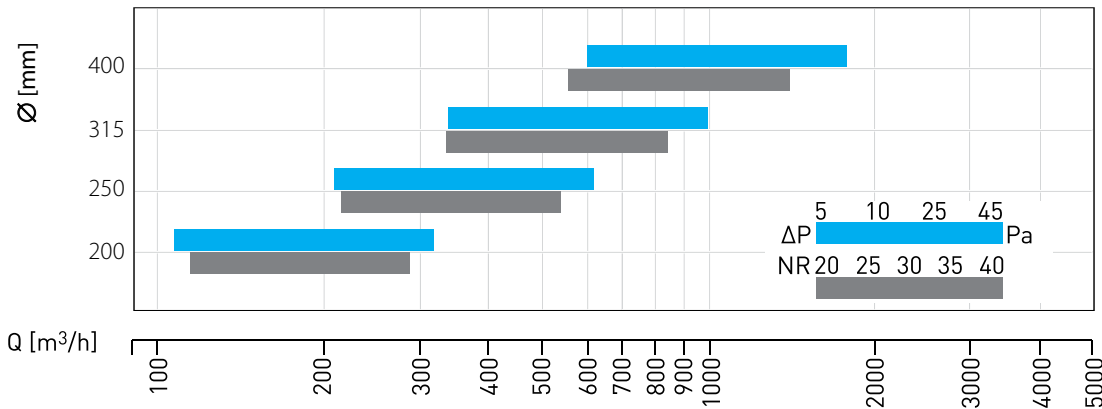
Ø = 200 250 315 400

Ø	DVE-1		
	Ø D	Ø D1	H1
200	198	300	64
250	248	350	64
315	313	450	86
400	398	550	120

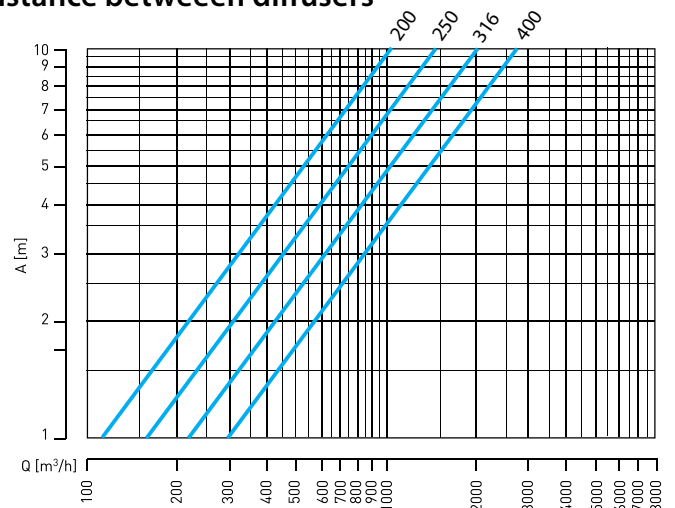
Plenum

Ø	Plenum KO-H-M [mm]		
	Ø D	H	Ø D1
200	204	260	159
250	254	300	198
315	319	350	249
400	404	415	314

Quick selection diagram



Distance between diffusers



SYMBOL	DESCRIPTION
Q	Air flow (m ³ /s or m ³ /h)
NR	Sound level
DP	Pressure drop (Pa)
V_k	Air delivery velocity (m/s)
A	Distance between diffusers (m)
H	Height (m)
H_0	Height - Occupation zone (1,80 m)
V_t	Air delivery velocity (m/s)
L_0	Throw horizontal (m)
L_v	Throw vertical (m)
L_t	L_v (Throw) or $V_t = 0,20$ m/s
Δt	Difference between the supply air temp. and room air temp.
α	Blades - tilt