

Fitting over the **glass**

# DucoPlus 45

## Minimum glass reduction

DucoPlus 45 is a controllable, aluminium glazed-in window ventilator featuring a curved canopy that guarantees superior weatherability. The positive-action inner tip directs the flow of incoming air upwards.

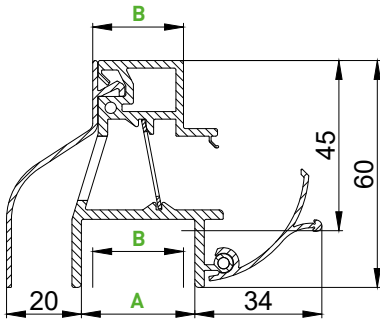
- Glass reduction of just **45 mm**
- **Thermal** break
- **Insect-resistant**

<b>U-value</b>	1,84
<b>Wind tightness class</b> closed position	Class 2
<b>Wind tightness</b> closed position	450
<b>Water tightness class</b> closed position	E900
<b>Water tightness</b> closed position	900
<b>Glass reduction</b>	45 mm

Standards: consult the table on page 40.



→ DucoPlus 45  
fitting over the glass



#### VERSIONS WITH GLASS PROFILE

	Dimensions (mm)		
<b>Glass profile (A)</b>	30	34	38
<b>Glass thickness* (B)</b>	24	28	32

\* The specified glass thickness is applicable to [Duco] glazing rubber. When kitting, you should take a minimum of 4 mm and maximum of 8 mm difference between glass thickness and glass profile.

### → Ventilation- and sound reduction performance

Type	Airflow (Q) in l/s/m at...			Airflow (Q) in m <sup>3</sup> /h/m at...			Equivalent area at 1 Pa in mm <sup>2</sup> /m	Geometrical Free Area in mm <sup>2</sup> /m	Sound absorption D <sub>n,e</sub> , W (C <sub>i</sub> ;C <sub>tr</sub> ) <sup>*</sup> in dB	
	1 Pa	2 Pa	10 Pa	1 Pa	2 Pa	10 Pa			OPEN position	CLOSED position
DucoPlus 45	7,1	10,03	22,50	25,56	36,10	81,00	8980	10000	25 (0;0)	41 (-1;-2)

\* According to EN ISO 717