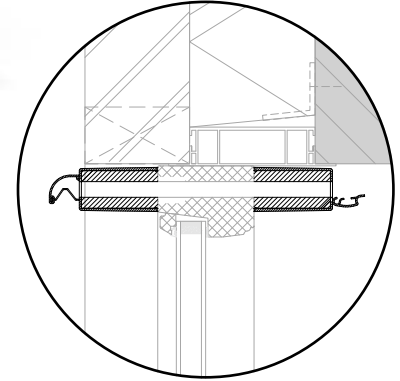




Independently
tested by
BRE



Fitting **through the frame**

DucoStrip Acoustic

Sound absorbing aluminium slot ventilator

DucoStrip is a sound absorbing aluminium “through-the-frame” slot ventilator. The sound-absorbing module can be fitted either on the inside or the outside, or both sides for even better sound absorption.

NOTE: DucoStrip Acoustic is only suitable for windows in low-rise buildings (up to second floor).

- Sound absorption **inside, outside or both sides**
- Incoming airflow deflected **upwards**
- **Simple fitting** with two screws per module
- Installation screws concealed by **smooth end caps**



Double Acoustic



Acoustic **Inside**



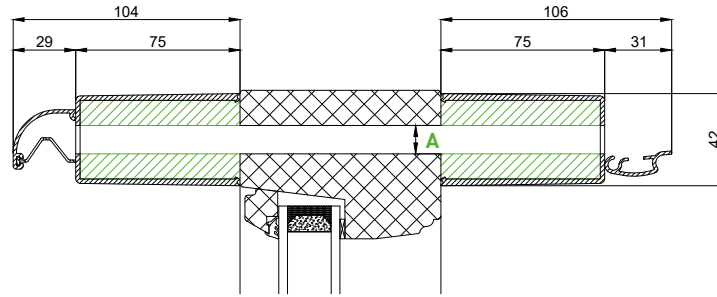
Acoustic **Outside**

Wind tightness class closed position	Class 2
Wind tightness closed position	300
Water tightness class closed position	5A
Water tightness closed position	200

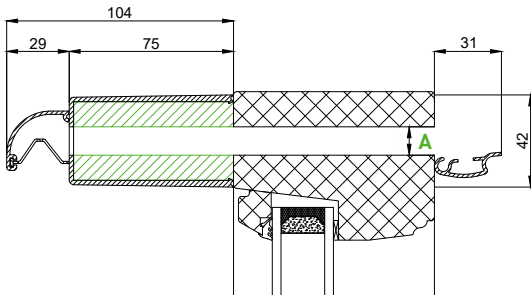
Standards: consult the table on page 40.



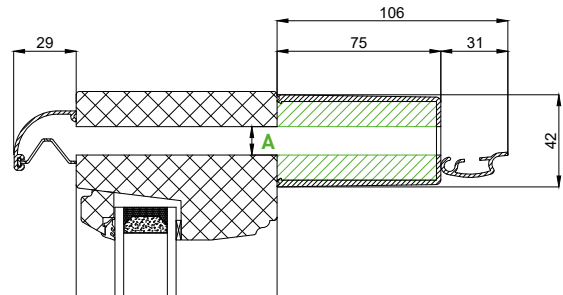
→ DucoStrip Acoustic **Double Acoustic**



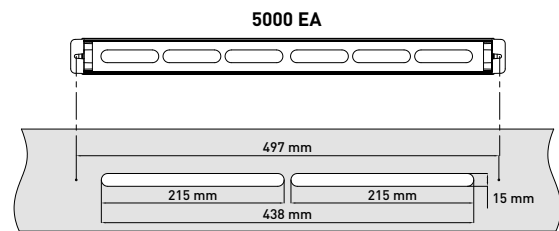
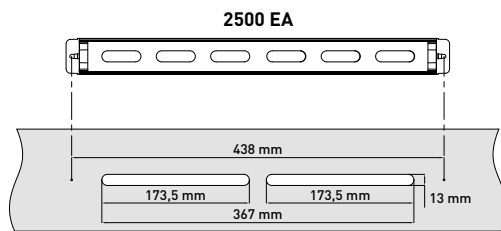
→ DucoStrip Acoustic **Acoustic Outside**



→ DucoStrip Acoustic **Acoustic Inside**



Type	Vent length in mm	Slot length in mm	Slot height (A) in mm
DucoStrip Acoustic 2500 EA	460	2 x 173,5	13
DucoStrip Acoustic 5000 EA	520	2 x 215	15



→ Ventilation- and sound reduction performance

Type DucoStrip	Airflow (Q) in l/s at...			Airflow (Q) in m³/h at...			Equivalent area at 1 Pa in mm²/m	Geometrical Free Area in mm²/m	Sound absorption D _{n,e} , W (C _s , C _{tr}) [*] in dB		
	1 Pa	2 Pa	10 Pa	1 Pa	2 Pa	10 Pa			OPEN position	CLOSED position	
2500 EA	Double Acoustic	2,5	3,5	8,0	9,0	12,6	28,8	3040	4511	42 [-2;-3]	56 [-3;-5]
	Acoustic Inside	2,8	3,9	9,0	10,1	14,0	32,4	3346	4511	37 [0;0]	57 [-1;-5]
	Acoustic Outside	2,7	3,8	8,8	9,7	13,7	31,7	3543	4511	37 [0;0]	54 [-1;-4]
5000 EA	Double Acoustic	3,9	5,6	12,7	14,0	20,2	45,7	5046	6450	37 [-1;-2]	53 [-1;-4]
	Acoustic Inside	4,2	5,9	13,2	15,1	21,2	47,5	5263	6450	34 [0;-1]	51 [-1;-3]
	Acoustic Outside	4,2	6,1	13,8	15,1	22,0	49,7	5394	6450	34 [0;0]	51 [-1;-3]

* According to EN ISO 717