

## M24

EN 442 & EN 14037 tested

- > Modular T-Bar Radiant Panel
- > Smooth-Faced Panel
- > T-Bar Mounted

### DESCRIPTION

The modular M24 is an aluminium radiant heating strip designed specifically for T-Bar ceiling integration that provides exceptionally high heat transfer that operates from a boiler with a water-based heat exchange system.

### CONSTRUCTION

Aluminium sheets. Copper pipework, cadmium or zinc-plated steel clips. rFoil™ insulation is fixed over pipework.

**Finish:**

RAL 9003 (matt) as standard.

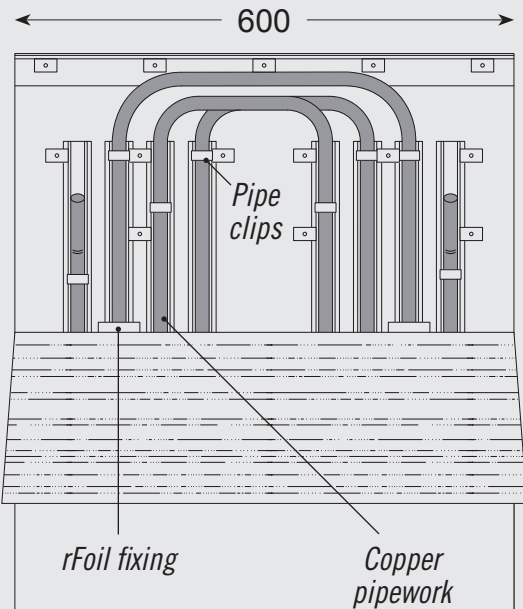
### FEATURES

Mean water temp: 45°C to 80°C

Coil passes: 4 pass (600 x 600)

8 pass (lengths 1200 and above)

M24 (8 pass) top view



All models include a non-hardening heat paste which is applied between pipework and aluminium for maximum heat transfer

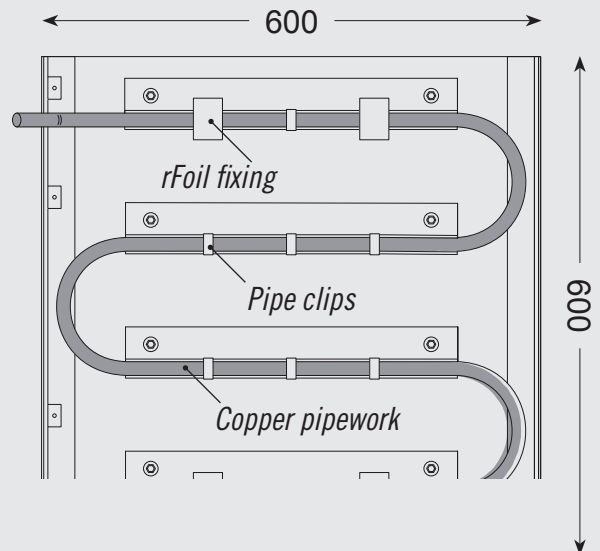
### NOTES

All dimensions are given in mm. Each panel requires wire support hangers (supplied by others).

### DIMENSIONAL DATA (mm)

Size	Width	Length	Depth
600 x 600	595	595	60
600 x 1200	595	1195	60
600 x 1800	595	1795	60
600 x 2400	595	2395	60
600 x 3000	595	2995	60

M24 (4 pass) top view



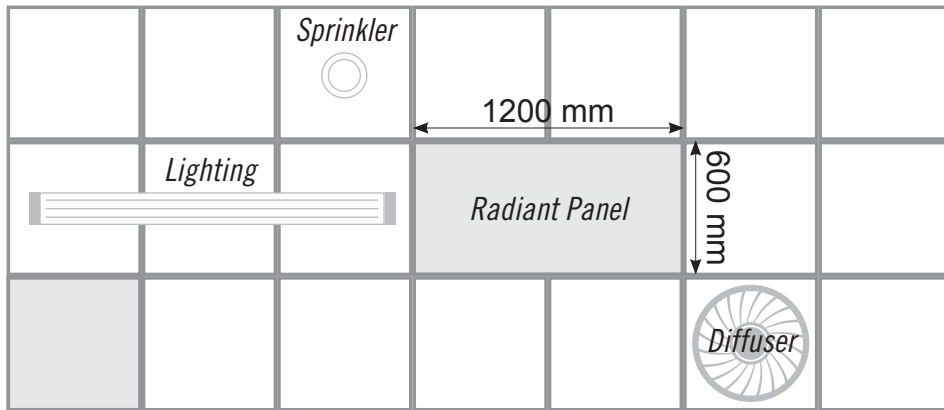
# M24 – SELECTION DATA

M24 SELECTION DATA									
Mean Water Temperature									
		45 °C	50 °C	55 °C	60 °C	65 °C	70 °C	75 °C	80 °C
Size (mm)	600 x 600	90	112	121	155	176	201	238	244
	600 x 1200	195	245	260	337	387	437	487	537
	600 x 1800	293	367	390	506	581	655	730	806
	600 x 2400	391	489	521	674	775	873	974	1,075
	600 x 3000	489	612	651	843	969	1,092	1,218	1,344

## KEY INFORMATION

Outputs expressed in watts per panel and are based on 21°C room temperature. For every 1° C decrease in temperature below 21°C, the output increases by 2%.

## T-BAR CEILING LAYOUT



## FIXING

