

PEC

- > Eggcrate Grille
- > Return
- > High Capacity

DESCRIPTION

Our eggcrate grilles are constructed of an interlocking aluminium lattice. They are most suitable for use as ceiling returns.

CONSTRUCTION

Extruded aluminium frame with an aluminium grid core (13 x 13 x 13 mm).

Finish:

White polyester powder finish RAL 9010 semi-gloss as standard.

Options:

- *Opposed blade damper*
- *Concealed mountings*
- *Narrow frame*

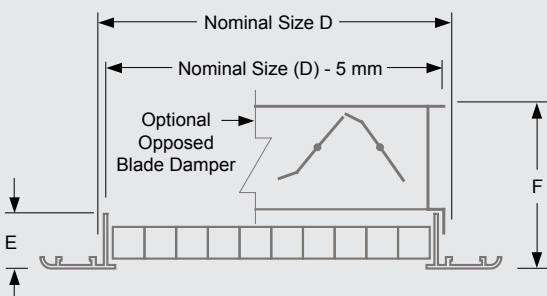
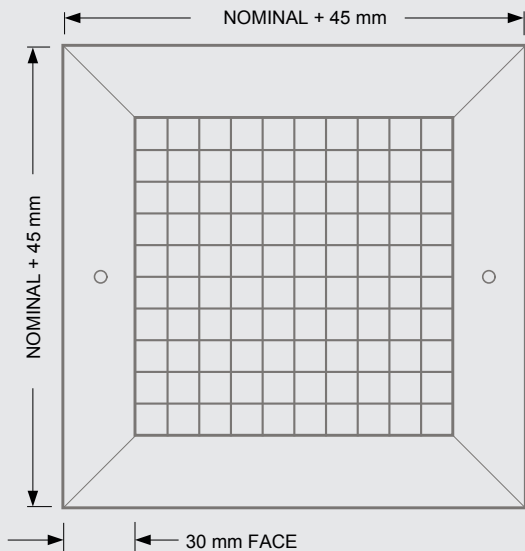
MODELS

PEC: Surface Mount
PEC-L: Lay-in T-Bar

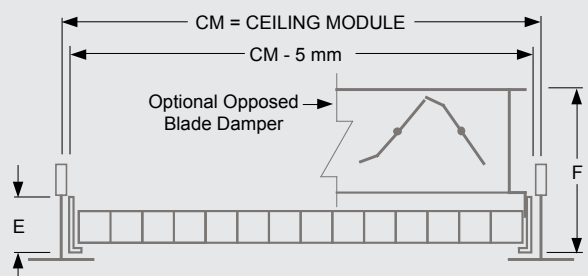
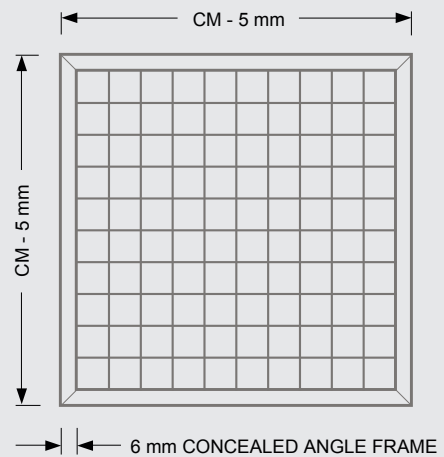
NOTES

Overall flange to flange dimension = listed size + 32mm. Optional Type Narrow Frame has a 25 mm face border.

PEC – Surface Mount



PEC – Lay-In, Concealed Frame



Removable core

Fitted with spring loaded quarter turn fasteners, the outer frame has angle brackets fixed to the inside of the neck.

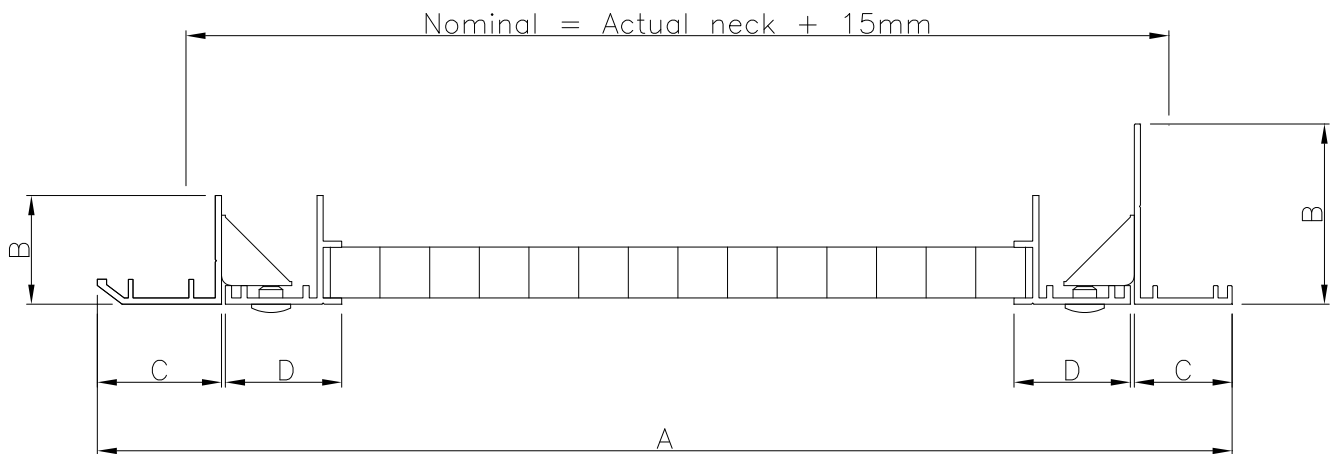
The inner removable frame holds the chrome plated, slotted head studs, for removal with a flathead screwdriver.

Other stud types are available for use with allen keys, or with a larger head for removal by hand.

Please note: Images show grille with the optional 32BS frame.



Ordering code for type shown here: RC-QT



32BS: 32mm bevelled (optional)	
A	Nominal + 45mm
B	28mm
C	32mm
D	30mm

25F: 25mm flat (standard)	
A	Nominal + 30mm
B	46mm
C	25mm
D	30mm

Hinged core

Enabling the core to hinge outwards may be preferable to it being fully removable.

The full length piano hinge at one side is discreet, and gives minimal loss of core area.

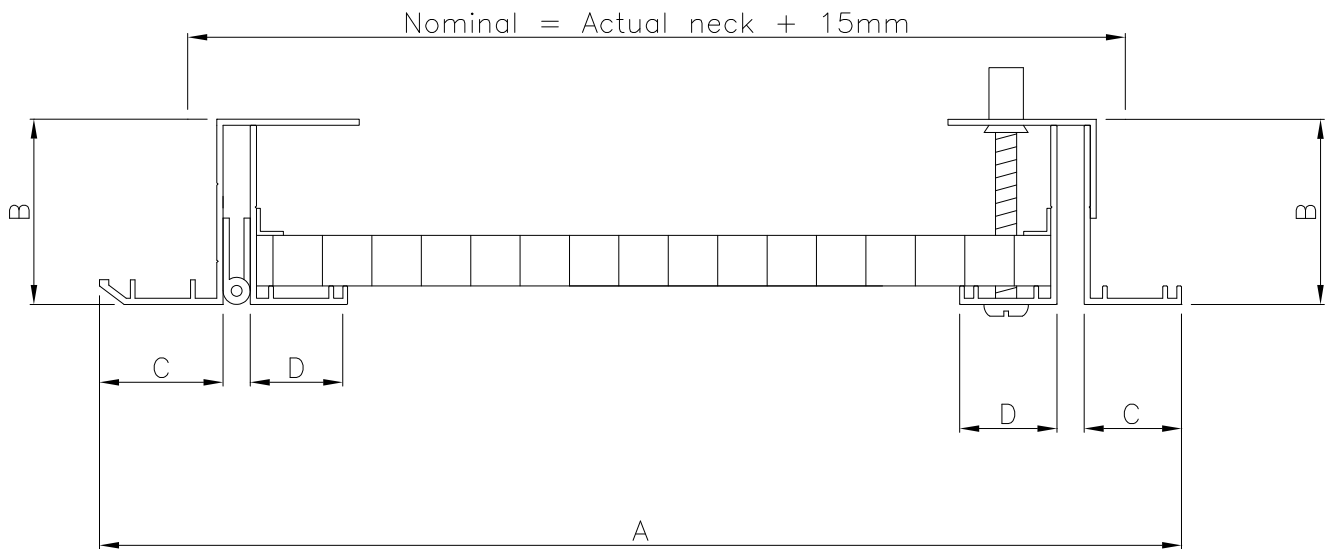
The inner core is held in place by one or more M6 panhead bolts mating with nutserts mounted to a concealed rear frame extension.

Chrome plated cam fasteners are optional instead of bolts.

Please note: Images show grille with the optional 32BZ frame.



Ordering code for type shown here: HC-BLT



32BZ: 32mm bevelled Z (optional)	
A	Nominal + 45mm
B	48mm
C	32mm
D	25mm

25F: 25mm flat (standard)	
A	Nominal + 30mm
B	48mm
C	25mm
D	25mm

SELECTION DATA																										
Round Side Connection																										
Air Volume m ³ /s		0.010	0.013	0.015	0.020	0.025	0.030	0.040	0.050	0.060	0.080	0.100	0.125	0.150	0.200	0.250	0.300	0.400	0.500	0.600	0.800	1.000	1.250	1.500		
Size	100 x 100	Pa	8	12	17	33	48	68																		
		dB(A)	-	-	-	18	24	32																		
	150 x 150	Pa					9	12	22	35	50															
		dB(A)					-	-	17	21	29															
	200 x 200	Pa							8	13	19	32	52													
		dB(A)							-	10	15	23	28													
	300 x 300	Pa											7	11	16	28	44	64								
		dB(A)											-	12	17	27	31	37								
	400 x 400	Pa														7	12	17	29	46	64					
		dB(A)														10	16	21	28	34	38					
	500 x 500	Pa																6	12	17	24	43	70			
		dB(A)																-	17	22	28	36	42			
	600 x 600	Pa																		8	11	22	31	48	69	
		dB(A)																		14	18	30	33	39	42	

KEY INFORMATION

Pa = Static Pressure Drop
dB(A) = Sound Pressure Level

Round Top Connection																											
Air Volume m ³ /s		0.010	0.013	0.015	0.020	0.025	0.030	0.040	0.050	0.060	0.080	0.100	0.125	0.150	0.200	0.250	0.300	0.400	0.500	0.600	0.800	1.000	1.250	1.500	2.000	2.500	
Size	100 x 100	Pa	5	7	10	17	28	43	73																		
		dB(A)	-	-	-	16	23	29	40																		
	150 x 150	Pa					3	5	9	13	19	33	53														
		dB(A)					-	-	-	15	21	32	38														
	200 x 200	Pa							3	6	7	12	19	30	45												
		dB(A)							-	-	-	11	18	27	31												
	300 x 300	Pa											3	4	6	10	16	24	42	64							
		dB(A)											-	-	-	14	22	31	37	44							
	400 x 400	Pa														3	4	6	11	17	28	45	70				
		dB(A)														-	-	-	19	25	32	42	51				
	500 x 500	Pa																2	4	7	9	17	25	41	59		
		dB(A)																-	-	12	19	28	36	44	51		
	600 x 600	Pa																		3	4	8	12	18	27	46	74
		dB(A)																		-	-	17	25	31	38	47	55

Top Connection																											
Air Volume m ³ /s		0.010	0.013	0.015	0.020	0.025	0.030	0.040	0.050	0.060	0.080	0.100	0.125	0.150	0.200	0.250	0.300	0.400	0.500	0.600	0.800	1.000	1.250	1.500	2.000	2.500	
Size	100 x 100	Pa	5	8	11	22	31	45																			
		dB(A)	-	-	-	16	23	31																			
	150 x 150	Pa					3	5	8	12	17	31	48	77													
		dB(A)					-	-	-	15	21	32	38	45													
	200 x 200	Pa							2	3	6	9	14	21	31	56											
		dB(A)							-	-	-	11	16	25	31	40											
	300 x 300	Pa											2	3	4	8	13	18	33	50	73						
		dB(A)											-	-	-	14	22	28	39	44	52						
	400 x 400	Pa														2	3	5	9	14	20	36	57				
		dB(A)														-	-	-	19	25	32	42	52				
	500 x 500	Pa																	3	5	8	15	21	34	48		
		dB(A)																	-	13	19	28	36	43	51		
	600 x 600	Pa																		2	3	6	10	15	22	39	60
		dB(A)																		-	-	17	25	32	38	48	56