



PFB45

- > Fixed Blade 45° Grille
- > Streamlined Blade Design
- > Horizontal or Vertical

DESCRIPTION

PFB45 return Grilles have fixed horizontal blades (parallel to width) or fixed vertical blades (parallel to height). They are spaced on 19mm centres with 45° or 0° straight face deflection. Deflected blade grilles installed in a low or high side wall location are vision-proof with the grille deflection facing away from the line of sight.

CONSTRUCTION

Extruded aluminium frames with reinforced mitred corners.

Finish:

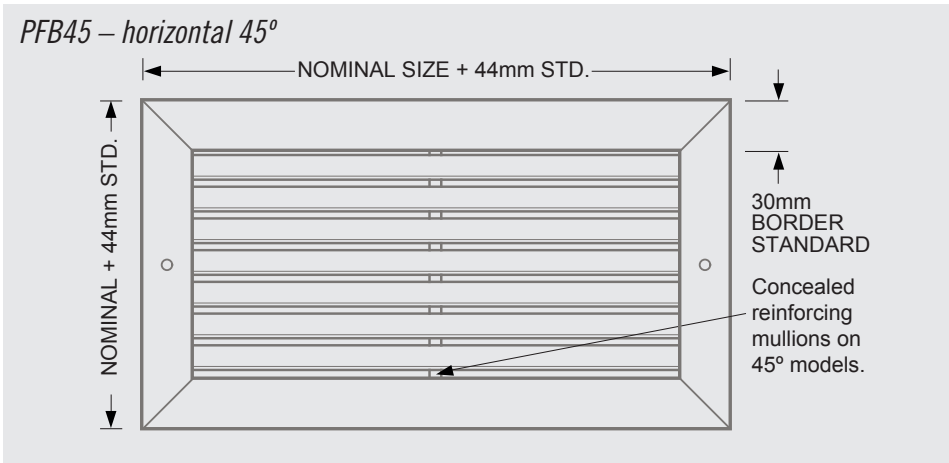
White polyester powder finish RAL 9010 semi-gloss is standard. *Other finishes are available.*

Options:

- Integral damper (opposed blade)
- Narrow frame with 25 mm face border
- Foam Gasket

AVAILABLE TYPES

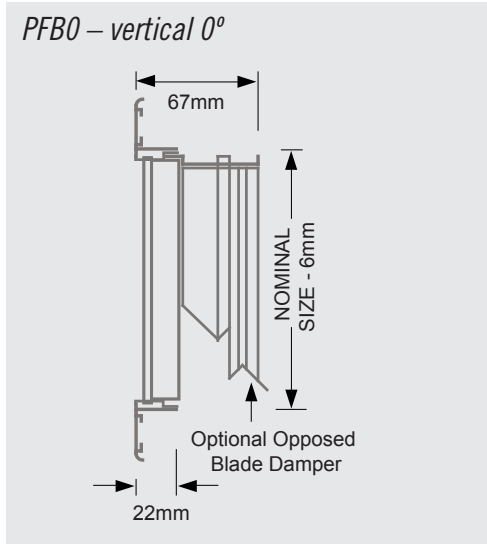
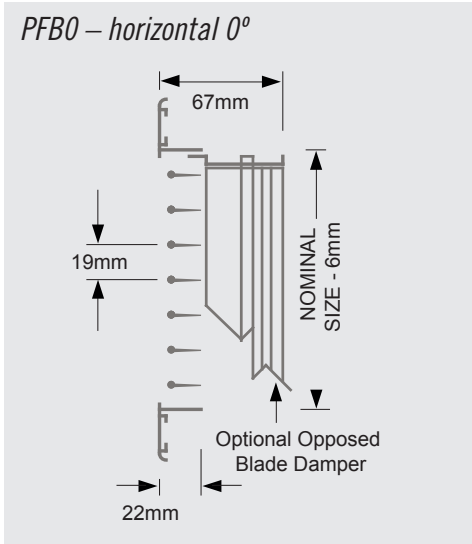
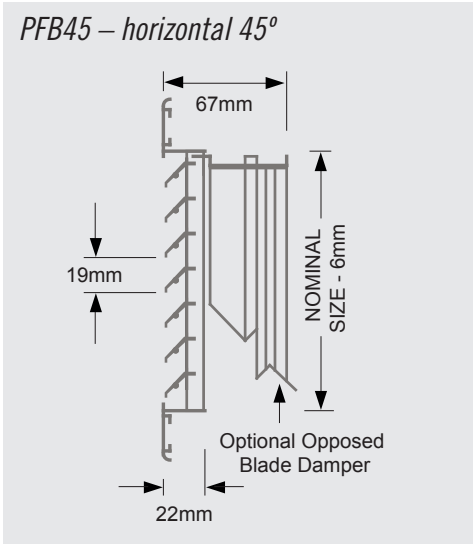
- PFB45-H:** 45° Horizontal
- PFB45-V:** 45° Vertical
- PFB0-H:** 0° Horizontal
- PFB0-V:** 0° Vertical



NOTES

All dimensions are given in mm. Standard sizes are available from 100 mm x 100 mm to 1200 mm x 1200 mm in single section construction. 50mm increments only on the height.

Other sizes, including multiple section assemblies, are available on request but are subject to manufacturing limitations.



Fixed Blade Return Grilles ■ Model Series: 5145H & 5145V

Listed Duct Size (mm)	Alternate Size (mm)	Core Area (m2)	Core Velocity (m/s) Pressure Drop (Pa)	0.5 1	1.0 5	1.5 10	2.0 17	2.5 26	3.0 37	3.5 50	4.0 65	4.5 83
150 x 150	200 x 100	0.02	Flowrate (l/s)	9	19	28	38	47	57	66	76	85
	250 x 100		NC Level	-	-	-	-	-	19	24	28	32
200 x 150	250 x 125	0.03	Flowrate (l/s)	13	26	40	53	66	79	92	106	119
	300 x 100		NC Level	-	-	-	-	15	20	25	29	33
250 x 150	300 x 125	0.03	Flowrate (l/s)	17	33	50	66	83	99	116	132	149
	400 x 100		NC Level	-	-	-	-	16	21	26	30	34
200 x 200	350 x 125	0.04	Flowrate (l/s)	18	35	54	72	90	108	126	143	161
			NC Level	-	-	-	-	17	22	27	31	35
300 x 150	450 x 100	0.04	Flowrate (l/s)	20	40	59	79	99	119	139	159	178
			NC Level	-	-	-	-	18	23	27	32	36
300 x 200	400 x 150	0.05	Flowrate (l/s)	27	55	82	109	137	164	192	219	246
	600 x 100		NC Level	-	-	-	-	19	24	28	33	37
250 x 250	350 x 175	0.06	Flowrate (l/s)	29	58	86	115	144	173	202	230	259
	650 x 100		NC Level	-	-	-	-	19	24	29	34	37
450 x 150	350 x 200	0.06	Flowrate (l/s)	31	61	92	123	153	184	215	245	276
	700 x 100		NC Level	-	-	-	15	20	25	30	34	38
300 x 250	400 x 200	0.07	Flowrate (l/s)	35	70	105	140	175	210	244	279	314
	600 x 125		NC Level	-	-	-	15	20	25	30	35	39
300 x 300	350 x 250	0.08	Flowrate (l/s)	42	85	127	170	212	255	297	340	382
	450 x 200		NC Level	-	-	-	16	21	26	31	36	39
350 x 350	400 x 300	0.12	Flowrate (l/s)	59	117	176	234	293	351	410	468	527
	500 x 250		NC Level	-	-	-	16	21	26	31	36	40
450 x 300	400 x 350	0.13	Flowrate (l/s)	65	129	194	259	323	388	453	517	582
	550 x 250		NC Level	-	-	-	17	22	27	32	37	40
600 x 250	500 x 300	0.14	Flowrate (l/s)	72	143	215	287	359	430	502	574	646
	750 x 200		NC Level	-	-	-	17	22	27	32	38	41
400 x 400	450 x 350	0.15	Flowrate (l/s)	77	155	232	310	387	464	542	619	697
	550 x 300		NC Level	-	-	-	18	23	28	33	38	41
600 x 300	450 x 400	0.17	Flowrate (l/s)	87	175	262	349	437	524	611	698	786
	500 x 350		NC Level	-	-	-	18	23	28	33	38	41
450 x 450	500 x 400	0.20	Flowrate (l/s)	99	198	297	396	495	595	694	793	892
	600 x 350		NC Level	-	-	-	18	23	29	34	39	42
750 x 300	500 x 450	0.22	Flowrate (l/s)	109	219	328	438	547	657	766	876	985
	550 x 400		NC Level	-	-	-	19	24	29	34	39	42
500 x 500	600 x 450	0.24	Flowrate (l/s)	123	246	228	493	616	739	862	985	1108
	650 x 400		NC Level	-	-	-	19	24	30	35	40	43
550 x 550	600 x 500	0.29	Flowrate (l/s)	150	299	449	598	748	898	1047	1197	1346
	650 x 450		NC Level	-	-	-	20	25	31	35	40	43
750 x 450	600 x 550	0.33	Flowrate (l/s)	167	334	501	668	835	1001	1169	1336	1503
	850 x 400		NC Level	-	-	-	20	25	31	36	41	44
600 x 600	650 x 550	0.35	Flowrate (l/s)	179	358	537	715	894	1073	1252	1431	1610
	700 x 500		NC Level	-	-	-	20	25	31	36	41	44
900 x 450	800 x 500	0.40	Flowrate (l/s)	202	403	605	806	1008	1252	1411	1612	1814
	1000 x 400		NC Level	-	-	-	21	26	32	37	42	45
650 x 650	700 x 600	0.42	Flowrate (l/s)	211	422	633	844	1055	1266	1477	1688	1898
	1200 x 350		NC Level	-	-	-	21	26	32	37	42	45
750 x 600	700 x 650	0.44	Flowrate (l/s)	225	450	675	900	1125	1351	1576	1801	2026
	800 x 550		NC Level	-	-	15	22	27	33	38	42	46
700 x 700	750 x 650	0.48	Flowrate (l/s)	245	491	736	982	1227	1472	1718	1936	2208
	900 x 550		NC Level	-	-	15	22	27	33	38	43	46
900 x 600	750 x 700	0.53	Flowrate (l/s)	271	542	813	1083	1354	1625	1896	2167	2438
	1000 x 550		NC Level	-	-	15	22	28	34	38	43	47
750 x 750	850 x 650	0.56	Flowrate (l/s)	283	565	848	1131	1413	1696	1979	2261	2544
	950 x 600		NC Level	-	-	15	22	28	34	39	43	47