



PFBS

- > Fixed Blade Swirl Diffuser
- > Fanned Pattern
- > Fixed Blade

DESCRIPTION

The PFBS provides a horizontal air pattern, the swirling supply air rapidly induces room air, decreasing velocity and temperature difference.

CONSTRUCTION

Steel.

Finish:
RAL 9010 white painted.

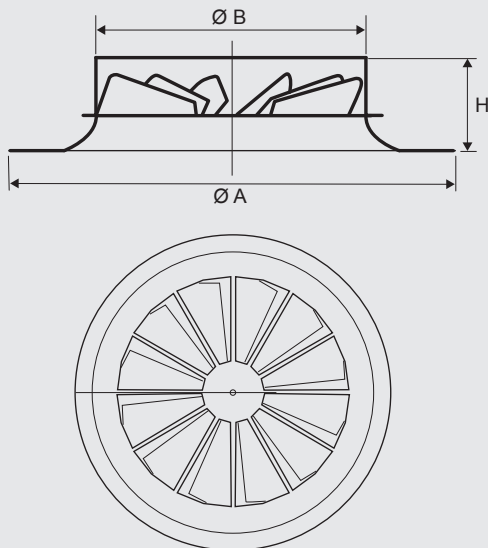
Options:

- Galvanised steel connecting plenum with insulation and damper.

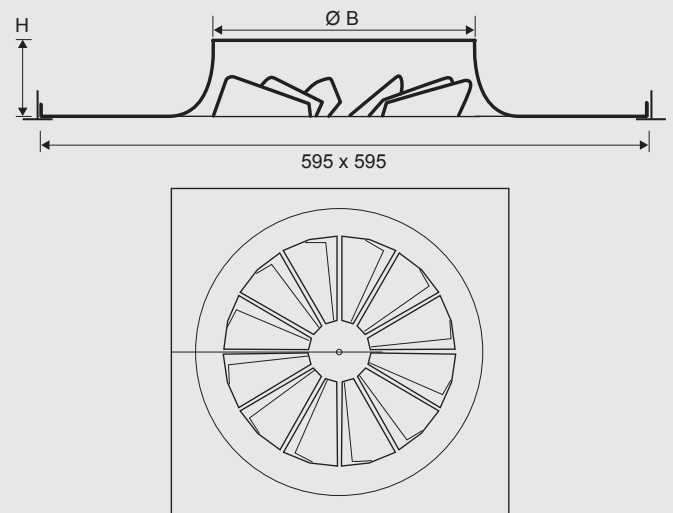
MODELS

PFBS: Helical fan (circular)
PMFBS: Helical fan (square)
595 x 595

PFBS – Fixed Blade Swirl Diffuser



PMFBS – Modular Fixed Blade Swirl Diffuser



DIMENSIONS (mm)

Ø mm	Ø A	Ø B	H
100	152	98	66
125	201	123	66
160	252	158	66
200	302	198	66
250	352	248	66
315	452	313	90
400	550	398	120

NOTES

All dimensions are given in mm.

PFBS – SELECTION DATA

SUPPLY SELECTION DATA																						
Air Volume (m ³ /s)		0.015	0.020	0.025	0.030	0.040	0.050	0.060	0.080	0.100	0.125	0.150	0.200	0.250	0.300	0.350	0.400	0.450	0.500			
Size	125	T	0.7	1.0	1.1	1.4	1.9	2.4														
		Pa	11	19	30	43	70	115														
		dB(A)	-	15	22	27	35	43														
	160	T		0.7	0.9	1.1	1.4	1.9	2.2	2.8												
		Pa		5	8	12	22	33	45	79												
		dB(A)		-	-	11	20	27	32	41												
	200	T				0.8	1.1	1.4	1.7	2.2	2.8	3.4										
		Pa				3	6	9	13	24	36	59										
		dB(A)				-	-	16	20	30	37	43										
	250	T					1.0	1.3	1.8	2.2	2.8	3.4	4.3									
		Pa					3	5	10	15	24	33	60									
		dB(A)					-	-	17	23	31	36	45									
	315	T							1.4	1.7	2.1	2.6	3.5	4.1	5.1							
		Pa							4	6	8	13	23	36	53							
		dB(A)							-	11	17	23	32	38	44							
	400	T											1.4	1.7	2.0	2.4	2.7	3.0	3.4			
		Pa											10	16	23	30	36	43	50			
		dB(A)											22	24	27	30	32	35	39			

KEY INFORMATION

Throw based on diffuser installed in a standard suspended ceiling.

T = Throw in metres (m)

Pa = Static Pressure Drop

dB(A) = Sound Pressure Level