

PPRG

- > Return Grille
- > Perforated
- > Wall Mounted

DESCRIPTION

The PPRG grille is suitable for sidewall, soffit or ceiling mounting and is normally used for extract applications.

CONSTRUCTION

Extruded aluminium frame with steel front sheet.

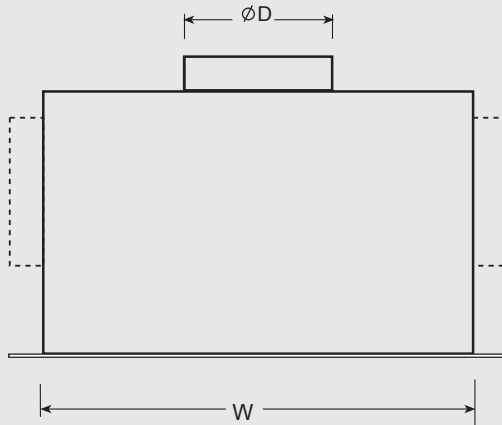
Finish:

Epoxy powder RAL 9010.

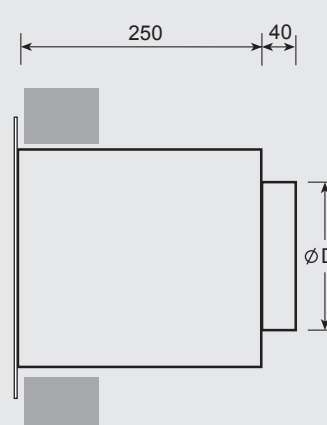
Options:

- Lined plenum
(rear, left or right connections)
- Un-lined plenum
(rear, left or right connections)

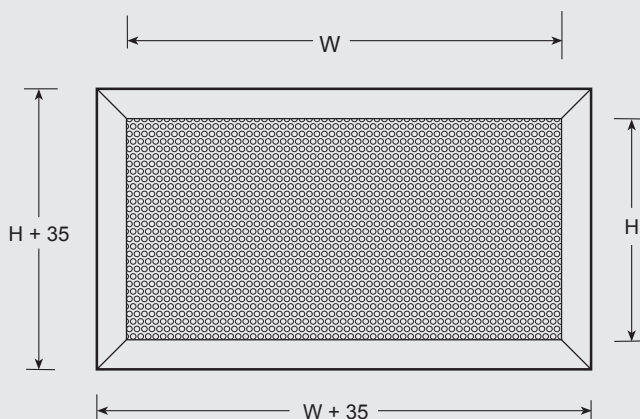
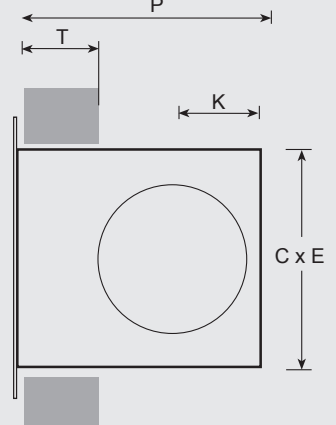
PPRG – Perforated Return Grille



Rear Connection



Side Connection (left)



DIMENSIONS (mm)

| Size | W | H | C | E | D | P | K | T |
|------|-----|-----|-----|-----|-----|-----|-----|-----|
| 300 | 313 | 150 | 305 | 145 | 123 | 343 | 107 | 110 |
| 400 | 388 | 200 | 380 | 195 | 158 | 378 | 124 | 110 |
| 500 | 483 | 248 | 475 | 240 | 198 | 418 | 144 | 110 |
| 600 | 578 | 313 | 570 | 305 | 248 | 468 | 293 | 110 |

NOTES

Please advise at time of order if face screws are required.

PPRG – SELECTION DATA

| | | RETURN SELECTION DATA | | | | | | | | | | | | |
|--------------------------------|-----------|-----------------------|-------|-------|-------|-------|-------|-------|-------|-------|-------|-------|-------|----|
| Air Volume (m ³ /s) | | 0.012 | 0.015 | 0.020 | 0.025 | 0.030 | 0.040 | 0.050 | 0.060 | 0.080 | 0.100 | 0.125 | 0.150 | |
| Size | 300 x 300 | Pa | 1 | 2 | 4 | 7 | 9 | 16 | 24 | | | | | |
| | | dB(A) | - | - | - | - | - | 12 | 19 | | | | | |
| | 400 x 400 | Pa | | | 1 | 2 | 3 | 6 | 10 | 15 | 21 | | | |
| | | dB(A) | | | - | - | - | - | - | 15 | 22 | | | |
| | 500 x 500 | Pa | | | | | | 5 | 8 | 12 | 20 | 31 | | |
| | | dB(A) | | | | | | - | - | 15 | 20 | 28 | | |
| | 600 x 600 | Pa | | | | | | | 4 | 6 | 10 | 16 | 25 | 34 |
| | | dB(A) | | | | | | | - | - | 10 | 20 | 24 | 28 |

KEY INFORMATION

Pa = Static Pressure Drop
dB(A) = Sound Pressure Level