

PSLO - OPTIONS & ACCESSORIES

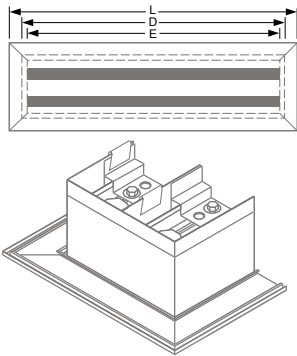
Overall Length Dimensions & End Cap Position

Frame type	[Diagram]		[Diagram]		[Diagram]		[Diagram]		[Diagram]		[Diagram]		[Diagram]	
	Mitred	Mitred	Flange	Flange	Mitred	Open	Mitred	Flat	Open	Open	Open	Flat	Flat	Flat
	E	L	E	L	E	L†	E	L	E	L	E	L	E	L
A, B	D-13	D+25	D-13	D+38	D-6	D+13	D-5	D+14	D	D	D-2	D-2	D-3	D-3
C	D-13	D+25	D-13	D+38	D-6	D+13	D-5	D+14	D	D	D-2	D-2	D-3	D-3
D	D-13	D+13	D-13	D+25	D-6	D+6	D-5	D+11	D	D	D-2	D-2	D-3	D-3
E	D-22	D	-	-	D-11	D	D-10	D+2	D	D	D-2	D-2	D-3	D-3
F, H	D-19	D+19	D-19	D+19	D-10	D+10	D-8	D+11	D	D	D-2	D-2	D-3	D-3
G	D-3	D	D-3	D	D-14	D	D-13	D+2	D	D	D-2	D-2	D-3	D-3
M*, N*	D-2	D-2	-	-	D-1	D-1	D-2	D-2	D	D	D-2	D-2	D-3	D-3

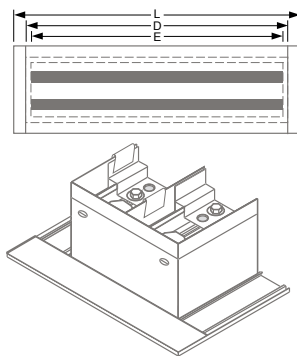
= Configurations FO and FC: Add 6mm for frame types A, B, C, D, F, G D = Duct length E = End Cap Position L = Overall Length and H. Not available on frame types E, M and N.
 * These types have a flangeless mitred end cap which is the same extrusion profile as the frame

D = Duct length
 E = End Cap Position
 L = Overall Length

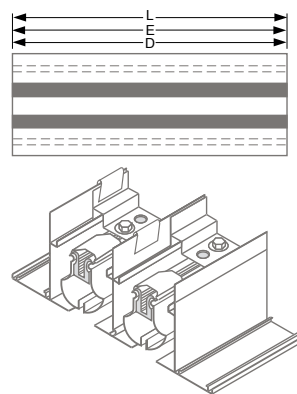
MITRED END CAP



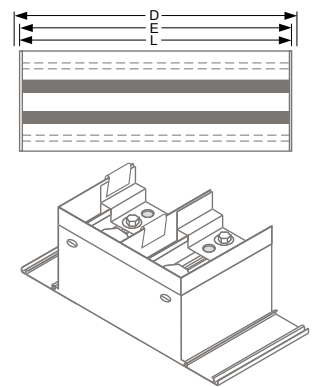
FLANGED END CAP



OPEN END

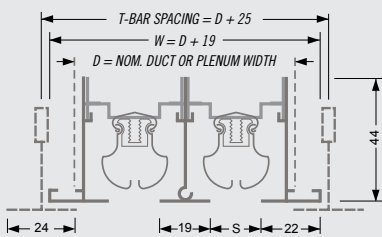


FLAT END CAP

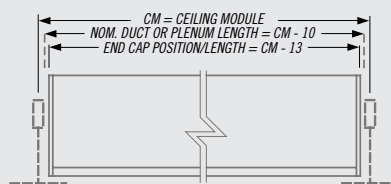


Lay-In T-Bar Application

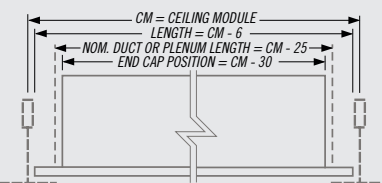
FRAME T For standard 24 mm or 14 mm



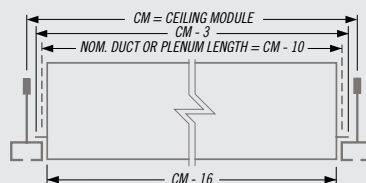
FLAT END CAPS



MITRED END CAPS (standard)



END CAP CONFIGURATION



Designed and fabricated specifically to integrate with standard exposed grid T-Bar Ceiling Systems.

Available in nominal lengths to suit metric ceiling grid modules.

Metric module lengths: 500, 600, 1200 and 1500 mm.

Also available in custom lengths for special applications and in multiple-section assemblies for continuous paired T-Bar ceilings.

Slots	DUCT (mm)		
	13	19	25
1	38	44	51
2	70	83	95
3	102	121	140
4	133	159	184
5	165	197	229
6	197	235	273
7	229	273	318
8	260	311	362

For T Frame & End Cap

PLENUM CORRECTION		
Entry	NR	Δ(PPa)
Top	+5 dBA	x1.5
Side	+10 dBA	x2

NC CORRECTION FACTORS FOR VARIOUS LENGTHS											
Length (m)	0.6	1.2	1.8	2.4	2.7	3.0	4.6	6.1	7.6	9.1	
Supply	-3	0	+2	+3	+4	+5	+8	+10	+11	+13	
Return	0	+3	+4	+6	+7	+8	+10	+11	+12	+13	

GUIDANCE SIZING FOR SPIGOTS					
Spigot Velocity m/s	2	2.5	3.0	3.5	4.0
Guide NR Level	20	25	30	35	40

PSLO – SELECTION DATA

SUPPLY SELECTION DATA									
SLOTS	PRESSURE DROP	H	1	3	12	19	26	36	47
		V	1	3	8	15	17	25	32
1	Flowrate per length (l/s/m)		8	15	31	39	46	54	62
	Throw (m)	H	0.3 - 0.6	0.6 - 1.8	1.2 - 2.1	1.8 - 2.7	2.1 - 3.0	2.1 - 3.0	2.4 - 3.4
		V	0.6	1.8	3.0	3.7	4.0	4.3	4.6
	NC Level		—	—	16	21	26	30	33
2	Flowrate per length (l/s/m)		15	31	62	77	93	108	124
	Throw (m)	H	0.3 - 0.9	0.9 - 2.7	2.1 - 3.0	2.7 - 3.7	3.0 - 4.3	3.0 - 4.6	3.4 - 5.8
		V	0.9	2.4	3.4	4.6	5.5	6.1	6.4
	NC Level		—	—	19	24	29	33	36
3	Flowrate per length (l/s/m)		23	46	93	116	139	163	186
	Throw (m)	H	0.3 - 1.5	1.5 - 3.0	2.4 - 4.0	3.0 - 4.6	3.7 - 6.1	4.0 - 6.4	4.3 - 7.0
		V	1.8	3.0	4.6	5.8	6.1	7.3	7.6
	NC Level		—	11	21	26	31	35	38
4	Flowrate per length (l/s/m)		31	62	124	155	186	217	248
	Throw (m)	H	0.3 - 2.1	2.1 - 3.7	3.0 - 4.6	3.7 - 6.1	4.3 - 7.0	4.6 - 7.3	5.8 - 7.9
		V	1.5	3.4	5.5	6.4	7.6	8.2	9.1
	NC Level		—	12	22	27	32	36	39

NOTES

- Horizontal throws are based on the same direction of all slots.
- Horizontal throws are given at 0.5 and 0.25m/s terminal velocities.
- Vertical throws are given at 0.25 m/s terminal velocity.
- Throw values are based on a 1.2m section.
For other lengths, use the correction factor table above.
- NC values are based on a 1.2m section, horizontal throw.
*For other lengths, use the correction factor table above.
For vertical throw, deduct 10 dB.*
- Data derived from tests conducted in accordance with ANSI/ASHRAE Standard 70 – 1991.

H = Horizontal Installation

V = Vertical Installation

5-8 Slot data over the page.

NC CORRECTION FACTORS FOR VARIOUS LENGTHS										
Length (m)	0.6	1.2	1.8	2.4	2.7	3.0	4.6	6.1	7.6	9.1
Supply	-3	0	+2	+3	+4	+5	+8	+10	+11	+13
Return	0	+3	+4	+6	+7	+8	+10	+11	+12	+13

THROW CORRECTION FACTORS FOR VARIOUS LENGTHS						
Length (m)	0.6	1.2	1.8	2.4	3.0	3.7
Multiplier	0.70	1.0	1.25	1.40	1.55	1.70

PLENUM CORRECTION		
	NR	Δ(PPa)
Top Entry	+5dBA	x1.5
Side Entry	+10dBA	x2

GUIDANCE SIZING FOR SPIGOTS					
Spigot Velocity m/s	2	2.5	3.0	3.5	4.0
Guide NR Level	20	25	30	35	40

PSLO – SELECTION DATA

SUPPLY SELECTION DATA									
SLOTS	PRESSURE DROP	H	1	3	12	19	26	36	47
		V	1	3	8	15	17	25	32
5	Flowrate per length (l/s/m)		39	77	155	194	232	271	310
	Throw (m)	H	0.6 - 2.1	2.1 - 4.3	3.0 - 6.1	4.3 - 7.0	4.9 - 7.6	6.1 - 8.2	6.4 - 8.8
		V	1.8	3.7	5.5	7.6	8.5	9.1	10.4
	NC Level		—	13	23	28	33	37	40
6	Flowrate per length (l/s/m)		46	93	186	232	279	325	372
	Throw (m)	H	0.9 - 2.4	2.4 - 4.6	3.7 - 6.4	4.6 - 7.3	6.1 - 8.2	6.4 - 9.1	7.0 - 9.8
		V	2.1	4.0	6.4	7.6	9.1	9.8	11.0
	NC Level		—	14	24	29	34	38	41
7	Flowrate per length (l/s/m)		54	108	217	271	325	379	434
	Throw (m)	H	1.2 - 2.4	2.7 - 5.8	4.0 - 7.0	5.8 - 7.9	6.4 - 8.8	7.0 - 9.8	7.6 - 10.7
		V	2.4	4.9	6.7	8.8	10.1	10.7	12.2
	NC Level		—	14	24	29	34	38	41
8	Flowrate per length (l/s/m)		62	124	248	310	372	434	495
	Throw (m)	H	1.5 - 2.7	2.7 - 6.1	4.3 - 7.3	6.1 - 8.5	7.0 - 9.8	7.6 - 10.4	7.9 - 11.3
		V	2.4	5.2	6.4	9.1	10.7	12.2	12.8
	NC Level		—	15	25	30	35	39	42

NOTES

- Horizontal throws are based on the same direction of all slots.
- Horizontal throws are given at 0.5 and 0.25m/s terminal velocities.
- Vertical throws are given at 0.25 m/s terminal velocity.
- Throw values are based on a 1.2m section.
For other lengths, use the correction factor table above.
- NC values are based on a 1.2m section, horizontal throw.
*For other lengths, use the correction factor table above.
For vertical throw, deduct 10 dB.*
- Data derived from tests conducted in accordance with ANSI/ ASHRAE Standard 70 – 1991.

H = Horizontal Installation

V = Vertical Installation

NC CORRECTION FACTORS FOR VARIOUS LENGTHS										
Length (m)	0.6	1.2	1.8	2.4	2.7	3.0	4.6	6.1	7.6	9.1
Supply	-3	0	+2	+3	+4	+5	+8	+10	+11	+13
Return	0	+3	+4	+6	+7	+8	+10	+11	+12	+13

THROW CORRECTION FACTORS FOR VARIOUS LENGTHS						
Length (m)	0.6	1.2	1.8	2.4	3.0	3.7
Multiplier	0.70	1.0	1.25	1.40	1.55	1.70

PLENUM CORRECTION		
	NR	Δ(PPa)
Top Entry	+5dBA	x1.5
Side Entry	+10dBA	x2

GUIDANCE SIZING FOR SPIGOTS					
Spigot Velocity m/s	2	2.5	3.0	3.5	4.0
Guide NR Level	20	25	30	35	40



PPSL

- > Slot Diffuser Plenum
- > PSLO Compatible

DESCRIPTION

Designed for flexible duct connection with a model to suit each of the various frame/sub-frame PSLO series combinations available.

Fixing:

The plenum is intended to be installed during the drywall installation (Most applications of this type utilise concealed "Goal Post" brackets). For T-Bar applications, the plenums are directly attached to the linear section.

CONSTRUCTION

Galvanised Mild Steel.

Options:

- Optional internal insulation
- ID Inlet dampers are available

Standard Duct Diameters:

- 100, 125, 150, 175, 200, 225, 250 mm

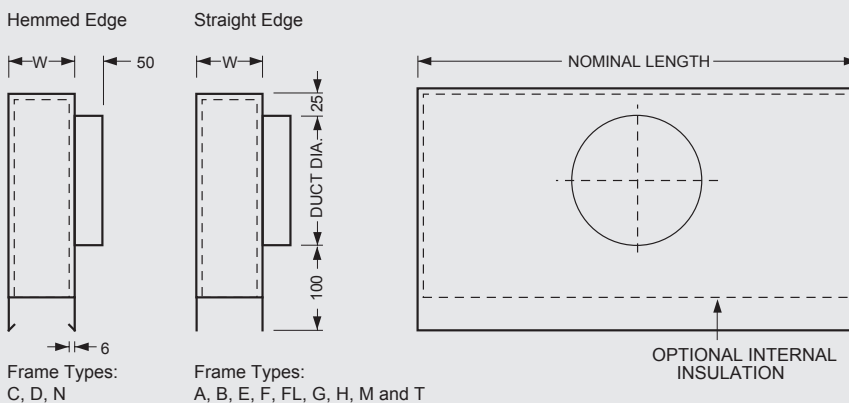
MODELS

- PPSL 13:** 13 mm Slot
PPSL 19: 19 mm Slot
PPSL 25: 25 mm Slot

PPSL - PLENUM

Size	Width		
	No. of Slots	Frame types (mm)	
		A,B,FL,M,T	C,D,F,H,N
13 mm	1	38	51
19 mm		44	57
25 mm		51	64
13 mm	2	70	83
19 mm		83	95
25 mm		95	108
13 mm	3	102	114
19 mm		121	133
25 mm		140	152
13 mm	4	133	146
19 mm		159	171
25 mm		184	197
13 mm	5	165	178
19 mm		197	210
25 mm		229	242
13 mm	6	197	210
19 mm		235	248
25 mm		273	286
13 mm	7	229	242
19 mm		273	286
25 mm		318	331
13 mm	8	260	273
19 mm		311	324
25 mm		362	375

PPSL



PPSL SIZES

- Standard nominal lengths are 600, 900, 1000, 1200, 1500 and 1800.
- Widths available to fit PSLO with 1, 2, 3, 4, 5, 6, 7 or 8 slots.

NOTES

All dimensions are given in mm.