

PSWA

- > Swirl Diffuser
- > Vane Pattern
- > Adjustable Throw

DESCRIPTION

Swirl diffusers with adjustable throws for both supply and extract applications. Designed for ease of installation, adjustment and cleaning.

CONSTRUCTION

Steel, polypropylene deflection blades.

Finish:

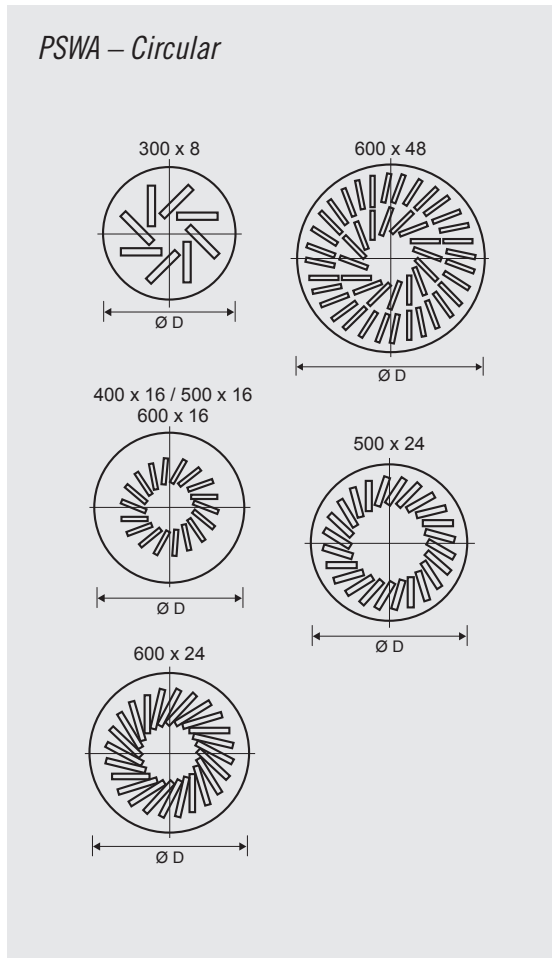
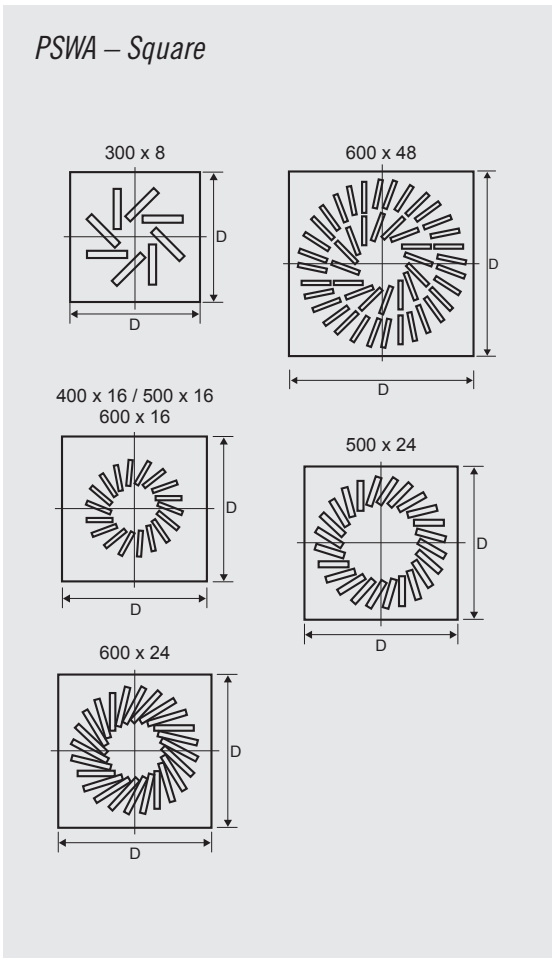
RAL 9010 white painted steel.
RAL 9005 black deflection blades.

Options:

- Galvanised steel plenum, standard or insulated, with or without equalizer sheet, calibration damper and mounting bridge.

MODELS

PSWA: Square
PSWA-C: Circular



DIMENSIONS (mm)		
mm	Ø D	D
300/8	298	295 x 295
400/16	398	395 x 395
500/16	498	495 x 495
600/16	598	595 x 595
500/24	498	495 x 495
600/24	598	595 x 595
600/48	598	595 x 595

NOTES

All dimensions are given in mm.

PSWA – SELECTION DATA

SUPPLY SELECTION DATA

Air Volume m³/s		0.015	0.020	0.025	0.030	0.040	0.050	0.060	0.070	0.080	0.100	0.125	0.150	0.200	0.250	0.300		
Size	300/8	T	0.7	0.9	1.2	1.3	1.6	1.9	2.2	2.4	2.6							
		Pa	3	6	9	11	22	34	50	68	89							
		dB(A)	-	-	10	15	22	28	33	37	43							
	400/16 500/16 600/16	T				1.1	1.3	1.4	1.6	1.7	1.7	2	2.3					
		Pa				3	6	9	14	18	24	38	62					
		dB(A)				-	-	13	16	21	25	31	40					
	500/24	T					1.1	1.3	1.4	1.6	1.7	2	2.3	2.6				
		Pa					3	4	7	8	11	17	26	38				
		dB(A)					-	-	12	16	19	24	31	37				
	600/24	T							1.3	1.4	1.5	1.7	1.9	2.2	2.5	2.8		
		Pa							2	3	4	7	12	15	27	42		
		dB(A)							-	-	7	13	19	25	31	36		
600/48	T										1.8	2.0	2	2.2	2.4	2.6		
	Pa										5	7	10	20	28	41		
	dB(A)										-	13	18	26	33	37		

KEY INFORMATION

Throw based on diffuser installed in a standard suspended ceiling.

T = Throw in metres (m)

Pa = Static Pressure Drop

dB(A) = Sound Pressure Level

RETURN SELECTION DATA

Top Connection

Air Volume m³/s		0.030	0.040	0.050	0.060	0.070	0.080	0.100	0.125	0.150	0.200	0.250	0.300	0.350	0.400	0.450	
Size	300/8	Pa	4	6	12	18	23	30	47	73							
		dB(A)	-	-	7	13	18	22	31	36							
	400/16 500/16 600/16	Pa						11	17	26	38	68					
		dB(A)						9	16	20	28	37					
	500/24	Pa							12	19	27	48	75	102			
		dB(A)							8	14	20	32	36	44			
	600/24	Pa								8	12	21	34	48	66	86	
		dB(A)								6	12	20	27	30	37	45	
	600/48	Pa									10	18	28	40	53	72	90
		dB(A)									6	15	25	27	32	36	42

RETURN SELECTION DATA

Side Connection

Air Volume m³/s		0.050	0.060	0.070	0.080	0.100	0.125	0.150	0.200	0.250	0.300	0.350	0.400	0.450	
Size	300/8	Pa	16	23	35	42	66	101							
		dB(A)	9	15	19	23	31	37							
	400/16 500/16 600/16	Pa				14	21	33	48	82					
		dB(A)				9	16	22	28	37					
	500/24	Pa					13	20	29	52	82	118			
		dB(A)					9	15	21	34	37	44			
	600/24	Pa							13	23	36	51	71	91	
		dB(A)							10	18	26	31	36	38	
	600/48	Pa								18	29	44	56	73	93
		dB(A)								15	21	27	35	36	41