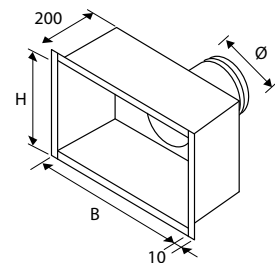
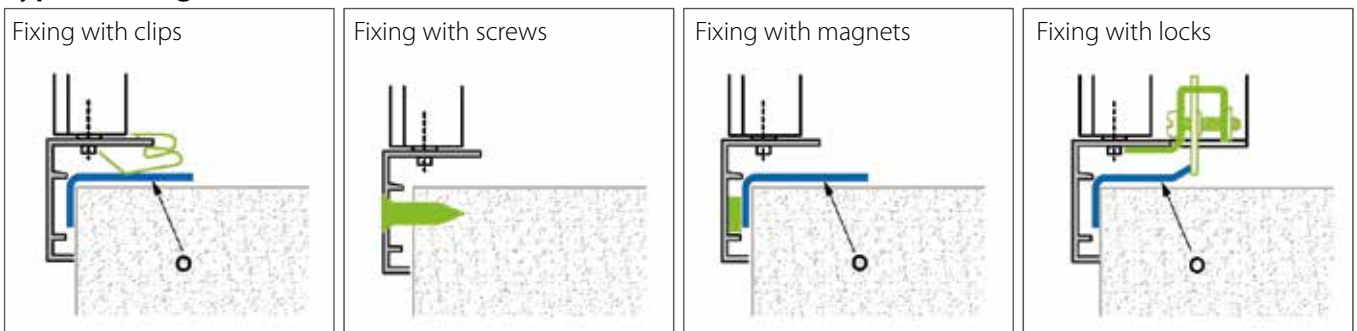


Plenum KK-H



- Characteristics** Supply grilles with adjustable blades 20 mm pitch.
- Construction** Galvanized steel, or painted in RAL 9010, RAL 9016, RAL 7035. Models made of stainless steel AISI 304, 2B or BA finish, are available on demand.
- Installation** For wall installation and for air delivery. Installation height: 2.5 – 3.5 m
- Fixing** Holes for screws.  
With clips or locks or magnets.
- Models** RJD: Grille with single row of vertical bars RJE: Grille with single row of horizontal bars RJD-2: Grille with double row of bars (front vertical, back horizontal) RJE-2: Grille with double row of bars (front horizontal, back vertical)
- Accessories** R: Calibration damper made of galvanized steel and fins with opposite movement.  
O: Mounting counterframes made of galvanized steel sheet. KK-H: Connecting steel plenum.

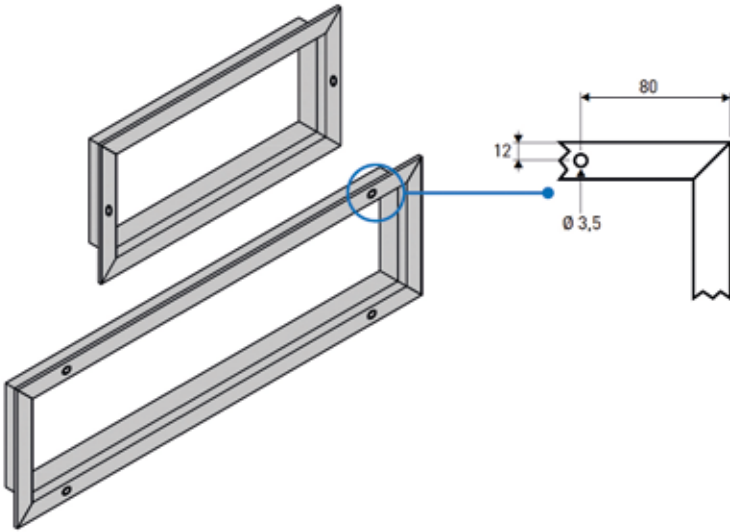
**Type of fixing**



Each grille has 8 magnets

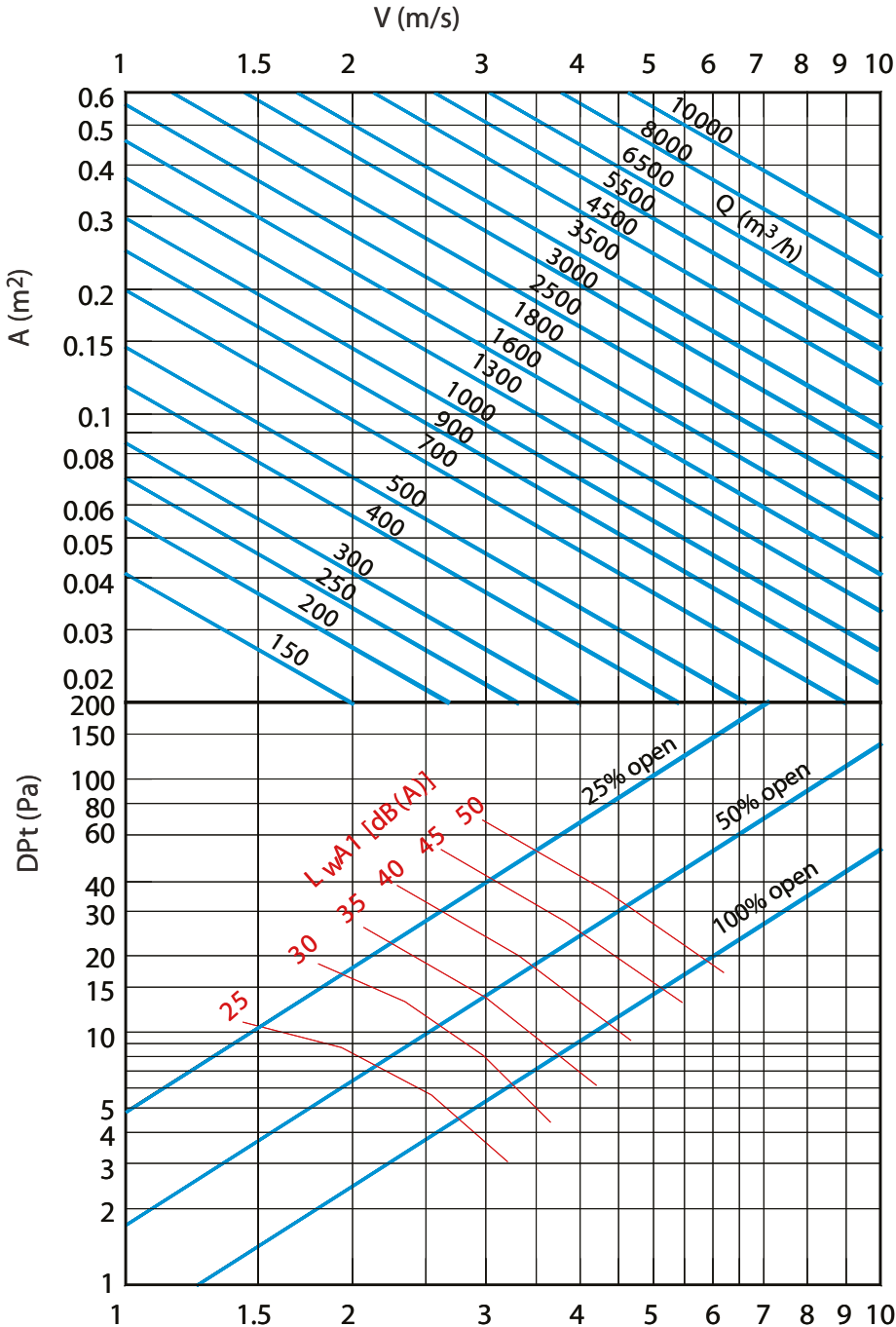
From 200 x 100 to 1000 x 300: 2 locks  
From 400 x 400 to 1000 x 500: 4 locks

Holes



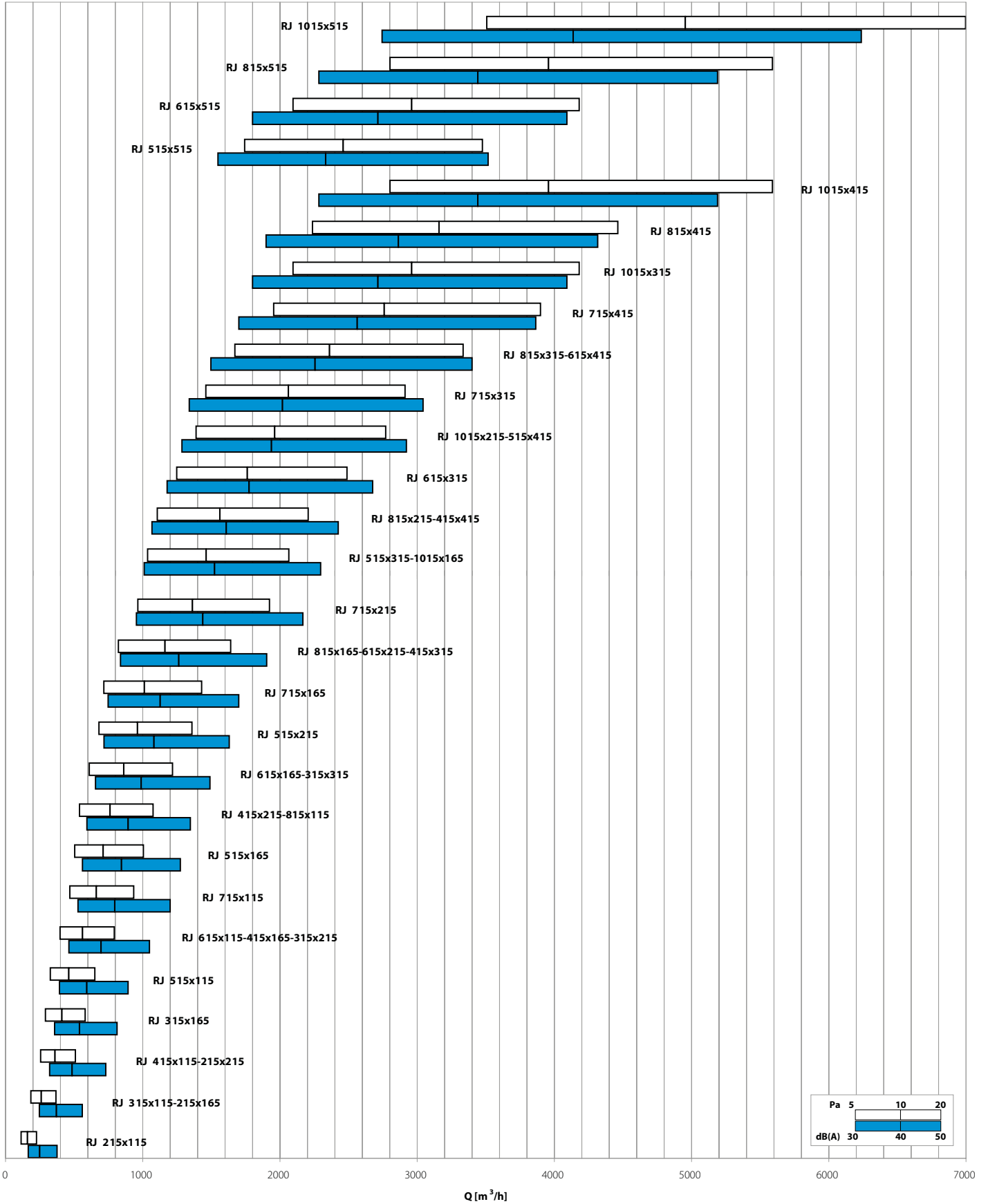
Amount of holes for mounting screw					
Smaller side	Longer side				
	200	250	300	350	≥400
100	2	2	2	4	4
150	2	2	2	4	4
200	2	2	2	4	4
≥250	2	2	2	4	4

Air velocity, pressure difference, sound power



SYMBOL	DESCRIPTION
Q	Volume flow (m³/s, m³/h)
$L_{WA}$	Sound power level
DP	Pressure difference (Pa)
Vk	Air velocity (m/s)
Lt	Jet throw (m)

Quick Selection Diagram



## Selection table

Model	A <sub>k</sub> [m <sup>2</sup> ]	Q [m <sup>3</sup> /h]		L <sub>WA</sub> [dB(A)]		X <sub>(0.25)</sub> [m]		D <sub>Pt</sub> [Pa]	
		min	max	min	max	min	max	min	max
RJ 215x115	0.0088	110	230	20	38	2.5	5.3	5	20
RJ 315x115-215x165	0.0144	180	370	22	40	3.3	6.7	5	20
RJ 415x115-215x215	0.0200	260	510	25	41	4.0	7.9	5	20
RJ 315x165	0.0228	290	580	25	42	4.2	8.4	5	20
RJ 515x115	0.0256	330	650	26	42	4.5	8.4	5	20
RJ 615x115-415x165-315x215	0.0311	400	790	26	43	4.9	9.7	5	20
RJ 715x115	0.0367	470	930	27	44	5.3	10.6	5	20
RJ 515x165	0.0395	500	1010	27	44	5.5	11.1	5	20
RJ 415x215-815x115	0.0423	540	1080	28	45	5.7	11.4	5	20
RJ 615x165-315x315	0.0479	610	1220	28	45	6.1	12.1	5	20
RJ 515x215	0.0534	680	1360	29	46	6.4	12.8	5	20
RJ 715x165	0.0562	720	1430	29	46	6.6	13.1	5	20
RJ 815x165-615x215-415x315	0.0646	820	1640	29	46	7.0	14.0	5	20
RJ 715x215	0.0757	960	1920	30	47	7.6	15.2	5	20
RJ 515x315-1015x165	0.0813	1040	2070	31	47	7.9	15.8	5	20
RJ 815x215-415x415	0.0869	1110	2210	31	48	8.2	16.3	5	20
RJ 615x315	0.0980	1250	2490	31	48	8.7	17.3	5	20
RJ 1015x215-515x415	0.1092	1390	2770	32	49	9.2	18.3	5	20
RJ 715x315	0.1147	1460	2910	32	49	9.4	18.7	5	20
RJ 815x315-615x415	0.1315	1670	3340	33	50	10.0	20.1	5	20
RJ 715x415	0.1537	1950	3900	33	50	10.8	21.7	5	20
RJ 1015x315	0.1649	2100	4180	34	51	11.3	22.4	5	20
RJ 815x415	0.1760	2240	4460	34	51	11.6	23.1	5	20
RJ 1015x415	0.2206	2800	5590	35	52	13.0	25.9	5	20
RJ 515x515	0.1370	1740	3480	33	50	10.2	20.5	5	20
RJ 615x515	0.1649	2100	4180	34	51	11.3	22.4	5	20
RJ 815x515	0.2206	2800	5590	35	52	13.0	25.9	5	20
RJ 1015x515	0.2764	3510	7000	36	53	14.5	29.0	5	20