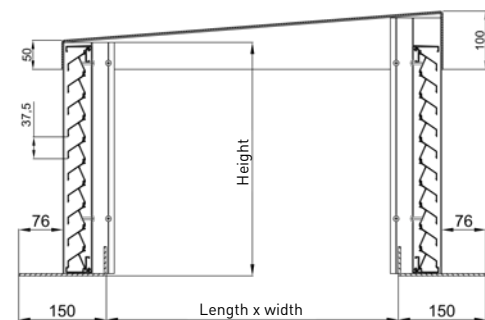
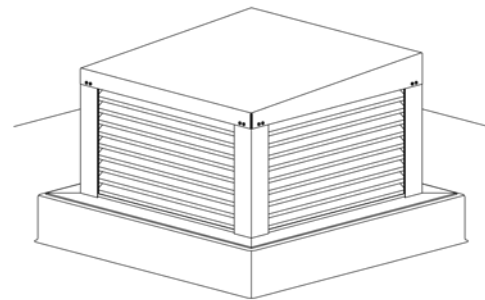




Duco **Roof Turret Solid 30Z**

Duco Roof Turret Solid 30Z is an aluminium roof cowl. It provides aesthetic concealment of air vents. The roof cowl also ensures adequate **purge ventilation** of the screened areas and can be used in almost **all projects**. The perforated Solid 30Z louvre blades are the ideal solution for both insect resistance and ventilation capacity. Thanks to the large punch slots (P2), this **small roof cowl** achieves **high ventilation values**. The roof cowls are **made to measure** and provided with a sill at the bottom and a cover plate on top.



DIMENSIONS

| | |
|--------------------------------------|----------------------------|
| Spacing of the louvre (pitch) | 37,5 mm |
| Roof cowl length | Min. 200 mm - max. 2597 mm |
| Roof cowl width | Min. 200 mm - max. 1147 mm |
| Roof cowl height | Min. 255 mm - max. 1600 mm |

VENTILATION VALUES

| | | P1 | P2 |
|--------------------------------------|--------|--------------|--------------|
| Visual free area | | 60 % | 86 % |
| Physical free area | | 34 % | 48 % |
| Ce (higher is better) | | 0,24 | 0,28 |
| Cd (higher is better) | | 0,23 | 0,28 |
| K-FACTOR (lower is better) | INLET | 17,70 | 12,85 |
| | OUTLET | 19,13 | 12,89 |

WATER RESISTANCE

| Air velocity | Class | |
|---------------------|------------------|------------------|
| | P1 | P2 |
| 0 m/s | C (91,1%) | B (96,1%) |
| 0,5 m/s | C (83,5%) | B (95,9%) |
| 1 m/s | D (77,7%) | C (93,5%) |
| 1,5 m/s | D | C (87,6%) |
| 2 m/s | D | D (67,3%) |
| 2,5 m/s | D | D |