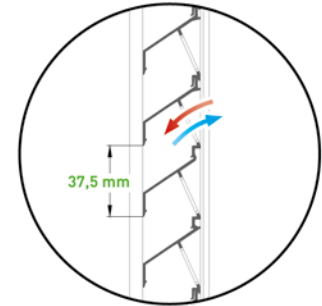


Burglar-resistant to class 2

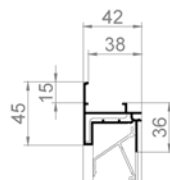


## DucoGrille Solid++ 30Z

The DucoGrille Solid++ 30Z uses the same louvre blades as the Solid 30Z (P1 only), but with a **reinforced frame section**. This makes the louvre grilles **intrusion resistant to Class 2**, in accordance with the European standard.

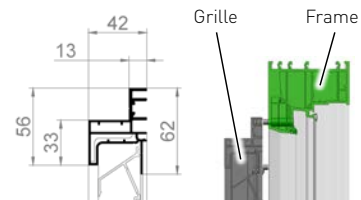
### FRAME TYPES AND DIMENSIONS

Dimensions in mm	<b>G</b>	<b>M</b>
<b>Louvre pitch</b>	37,5	
<b>Recess depth</b>	38,4	-
<b>Frame rebate</b>	15	-
<b>Frame depth</b>	-	42
<b>Min. dimensions</b>	min. W 200 x H 200	



**++ G 30Z**

Recessed wall louvre with flange



**++ M 30Z**

Surface-mounted louvre grille for fitting on a frame

### SPECIFICATIONS

The DucoGrille Solid++ 30Z is only available with P1 louvre blades. All specifications relating to ventilation capacity, water resistance and insect resistance are identical to the DucoGrille Solid 30Z P1 (see page 8).



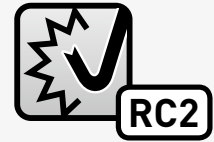
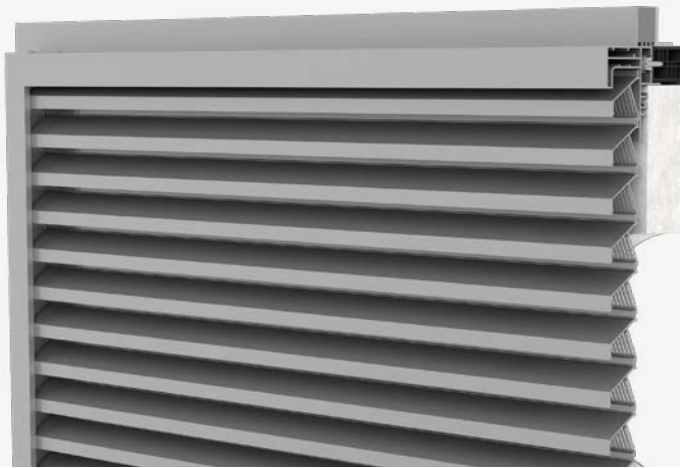
**P1**

DucoGrille **Solid++ G 30Z** has passed all the tests prescribed in the 'Burglar resistance Construction products' prEN 1627 to prEN 1630 draft standards for class 2 intrusion resistance.

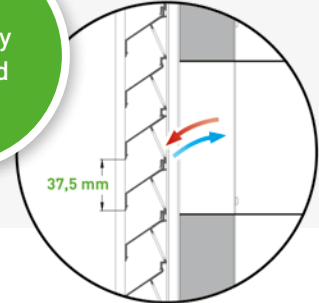
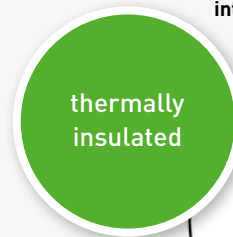
DucoGrille **Solid++ M 30Z** complies with standards EN 5096:2007 and EN 1627:2011

The complete test report is obtainable upon request:  
**G 30Z:** DE 651 XG 815 - CAR 8175 | **M 30Z:** SKG12.1036



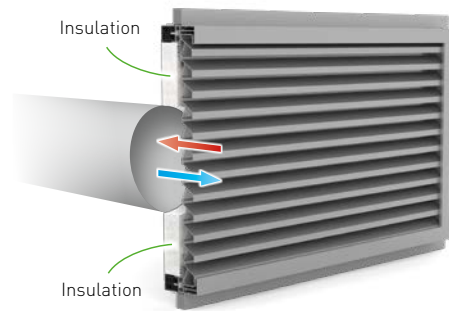


Also available in **RC2 intrusion-resistant** version



# DucoGrille Solid ISO 30Z

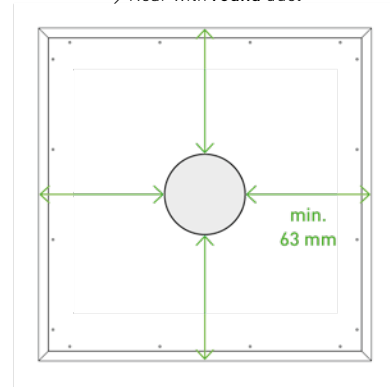
The DucoGrille Solid ISO 30Z is an architectural and **thermally insulated window louvre**. The window louvre can be connected to both round and rectangular air ducts. Available as an option with reinforced frame section for intrusion resistance up to class 2.



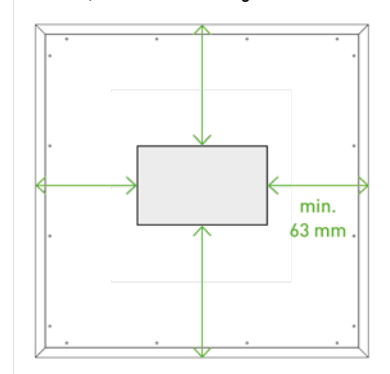
## DIMENSIONS AND SPECIFICATIONS

<b>Frame depth</b>	88 mm (with thermal break)
<b>Flange width</b>	24 / 28 / 32 / 36 / 40 / 44 / 48 mm
<b>Duct connection</b>	Round or rectangular, any dimension
<b>Grille dimensions</b>	Louvre grille height = duct height + 2 x 63 mm min. Grille width = duct width + 2 x 63 mm min. Min. W 300 x H 300 mm Max. 2500 mm high / wide if other dimension < 1250 mm
<b>U-value</b>	0.9 W/m <sup>2</sup> K

→ Rear with **round** duct



→ Rear with **rectangular** duct



## SPECIFICATIONS

The DucoGrille Solid ISO 30Z is available with P1 and P2 louvre blades. All specifications relating to ventilation capacity and water resistance are identical to the corresponding DucoGrille Solid 30Z models (see page 8).



P1



P2

