

'Invisible' mounting
on the transom

TopVent SR (AK+)

Compact & aesthetic

With the **TopVent** range, DUCO puts energy efficiency and acoustic and thermal comfort first. The aesthetic appearance of the grille is enhanced by the **invisible punching**. The upward airflow guarantees a healthy and comfortable indoor climate. The grille guarantees quick assembly, high stability on the window and the **highest airtightness class**. The top is transparent and features pre-drilled glass fibre-reinforced ties. The anchor channel at the top provides a rapid and secure fixing to the solid structure.

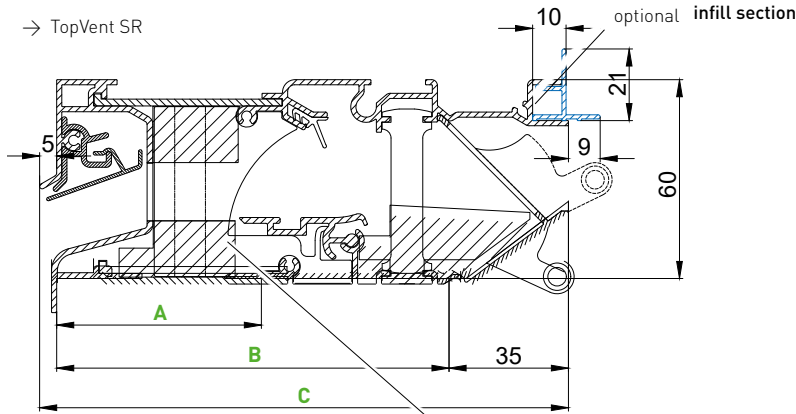
A variant was specifically designed for the UK in line with current regulations: the **TopVent UK**. Here the internal ventilation flap is limited at the equivalent area to 5000, 7500 or 10000 mm². This is always performed in a sound-absorbing AK version.

- Optimum aesthetics thanks to **'invisible' punching**
- Suitable for fitting on **any window section**: depths from 60 to 215 mm
- Only **60 mm grille height**
- **Plastic thermal bridge** top and bottom

	Corto	Medio	Alto	Largo
U-value	4,14	4,12	3,60	3,42
Wind tightness class closed position	Class 4			
Wind tightness closed position	600			
Water tightness class closed position	E1350			
Water tightness closed position	1350			

Standards: consult the table on page 42.

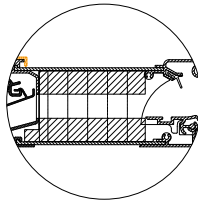




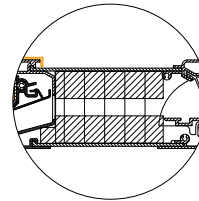
FITTING DEPTHS

Version	Dimensions (see drawing)		
	A	B	C
Corto	60	85	125
Medio	60	115	155
Alto	110	165	205
Largo	160	215	255

optionally sound-damping material for AK / AK+ version



AK



AK+

→ **Ventilation values**

Type TopVent SR	Airflow (Q) in l/s/m at...			Airflow (Q) in m³/h/m at...			Equivalent area at 1 Pa in mm²/m	Geometrical Free Area in mm²/m
	1 Pa	2 Pa	10 Pa	1 Pa	2 Pa	10 Pa		
STD	12,2	18,1	21,9	43,9	65,0	79,0	15517,2	17000
AK	12,2	18,1	21,9	43,9	65,0	79,0	15517,2	17000
AK+	8,3	12,5	15,8	29,9	45,0	56,8	10556,8	12000
UK AK EA5000	4,0	5,9	7,2	14,4	21,3	25,9	5087,6	17000
UK AK EA7500	5,9	8,7	10,6	21,2	31,4	38,2	7504,2	17000
UK AK EA10000	7,9	11,7	14,2	28,4	42,1	51,2	10048,0	17000

* According to EN ISO 717

→ **Sound reduction**

Type TopVent SR	Sound absorption $D_{n,e}, W(C;C_{tr})'$ in dB							
	OPEN position				CLOSED position			
	Corto	Medio	Alto	Largo	Corto	Medio	Alto	Largo
STD	31 [-1;-2]				47 [0;-2]			
AK	33 [0;-1]	34 [0;-2]	36 [-1;-2]	37 [0;-2]	43 [0;-1]	52 [-1;-3]	55 [0;-3]	56 [-1;-4]
AK+	✗	✗	38 [-1;-3]	40 [0;-2]	✗	✗	55 [0;-3]	56 [-1;-4]
UK AK EA5000	38 [0;-1]	40 [-1;-2]	41 [-1;-2]	43 [0;-2]	53 [0;-2]	52 [-1;-3]	54 [-1;-4]	58 [-1;-4]
UK AK EA7500	36 [0;-1]	38 [-1;-2]	40 [-1;-2]	41 [-1;-2]	52 [0;-2]	52 [-1;-3]	54 [-1;-3]	58 [-1;-4]
UK AK EA10000	35 [0;-1]	36 [0;-2]	38 [-1;-2]	39 [0;-2]	51 [0;-1]	52 [-1;-3]	54 [-1;-3]	58 [-1;-4]

* According to EN ISO 717